

TRIBÙ

SENJA

STUDIO SEGERS



The Senja collection comprises a deeply comfortable modular sofa, an armchair and indulgent lounge. A choice of seating modules, table or console table inserts allow you to personalise the sofa. The elegant armchair's light design has a gently supporting Canax® back rest. The lounge's voluminous cushions are made for relaxation, and it comes with an optional full-length side table. The Senja collection is available with powder-coated aluminium legs in linen, wengé or solid plantation teak.



ARMCHAIR
02318-XX-XX



LOUNGE CHAIR
02312-XX-XX



ADJUSTABLE LOUNGER
02340-XX | 02341-XX



SOFA MODULES REGULAR & DEEP
023XX-X-Y



SOFA ORGANIC CORNER
02350X-X-Y



SOFA MERIDIENNE
02330X-X-Y

FABRICS & MATERIALS

MATERIALS

Frame & legs: **Aluminium** is a non-ferrous metal, which combines great mechanical rigidity with light weight. This makes it especially suitable for furniture. If treated correctly, it has a good resistance to corrosion. By powdercoating aluminium, this corrosion resistance can even be enhanced. After a chemical pre-treatment, an epoxy powder is applied statically and baked. Tribù always uses European, ultra-durable and scratch-resistant polyester powdercoatings that guarantee a UV-resistance of 15 years. For certain collections (Branch & Illum) parts of the frame are die-cast under high pressure which results in a seamless and extremely solid frame. Additionally, an extra epoxy primer coat is applied for these collections.

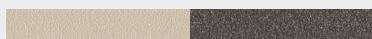
Legs: Plantation **teak** from East-Java or high-pressure injected aluminium.

Back: **Canax®** is a unique combination of natural hemp and synthetic fibres. Unbreakable polyester fibres give strength and stability. PVC makes the Canax® stain repellent and resistant to outside influences, fungi, frost and UV radiation. The hemp finally, gives the material a surprisingly matte look and a natural touch, almost like leather. Canax® is also a CO2 positive product. As hemp is a natural product, differences in colour and structure may appear, giving the furniture - together with the hand weaving - a unique craft appearance, which cannot be regarded as a fault.

Table top: Ceramic has been used for centuries for all kinds of purposes. With its unique characteristics it is the ideal material for outdoor table tops. Ceramic is UV-resistant, frost proof, extremely scratchproof and completely stain-repellent. The ceramic used by Tribù is coloured in the mass and guarantee years of carefree pleasure. The raw materials are selected very carefully by suppliers from Western and Southern Europe only. Every top is unique. For example, the Scisto colour may show subtle veins, but this is not the case for every top. The ceramic table tops are slightly bended so water can flow off.

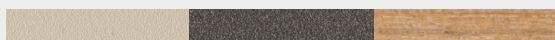
FRAME

10-Linen 89-Wengé



LEGS

10-Linen 89-Wengé T-Teak



BACK

10-Linen



CUSHIONS

The filling has a cover in a laminated, water-repellent polypropylene material which prevents water from penetrating. The thread used to stitch the seams swells when getting wet, preventing water from penetrating through the seams. Moreover, the seams are protected on the inside with an extra covering. If nevertheless water should penetrate, the material is breathable, letting moisture out to prevent moulding. Fabrics available in category D, E & F.

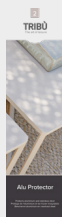
HOW TO MAINTAIN YOUR FURNITURE

MAINTENANCE

Powder coated aluminium is easy to clean with clear water and a pH-neutral fluid detergent. Stubborn stains can be removed with Coated aluminium & stainless steel Cleaner. If necessary, use a soft brush to remove the dirt from the pores. To protect the frame against the adhesion of dirt, Coated aluminium & stainless steel Protector can be used which applies an invisible protective film.



POWDERCOATED ALUMINIUM &
STAINLESS STEEL CLEANER
D9952



POWDERCOATED ALUMINIUM &
STAINLESS STEEL PROTECTOR
D9931

Canax® requires hardly any maintenance and is easy to clean with clear water and a PH neutral soap. Stubborn stains and persistent green deposit can be removed with Synthetics Super Cleaner. Use a soft brush to clean between the weave. For extra protection we recommend Synthetics Protector which applies an invisible film and reduces the adhesion of dirt.



SYNTHETICS SUPER CLEANER
D9922



SYNTHETICS PROTECTOR
D9921

Treat new **teak** with teak protector 4 à 6 weeks after installation. Teak protector applies an invisible film that prevents stains and green deposit. Soiled teak can be cleaned with teak super cleaner. Leave the furniture to dry completely and then apply teak protector. To avoid labour-intensive cleaning, you can treat the wood with teak sealer. A simple cleaning with water and a ph-neutral soap will do for many years. Teak sealer contains UV protection to slow down the graying from the sun as well as a fungicide to prevent the growth of mold and mildew.



TEAK SUPER CLEANER
D9914



TEAK PROTECTOR
D9912



TEAK SEALER
D9959

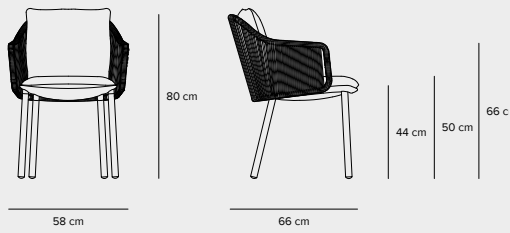
PROTECTION COVERS

For each item a cover is available that protects the furniture against dirt. These covers in grey colour are made of PU coated polyester which is water-repellent and UV-resistant. Thanks to their excellent breathable qualities the covers reduce condensation and heat build-up, helping to prevent the formation of mold and mildew. Nevertheless, they are not 100% waterproof. Always make sure that furniture, cushions and covers are completely dry before covering furniture.

TRIBÙ

TECHNICAL DRAWINGS

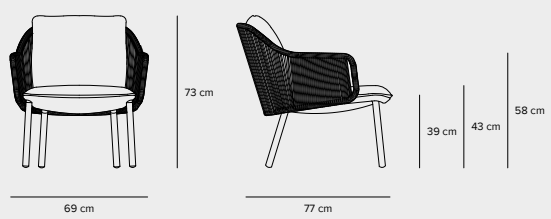
ARMCHAIR
02318-XX-XX



Back cushion **C02318BW** and Seat cushion **C02318SW** are recommended for optimal seating



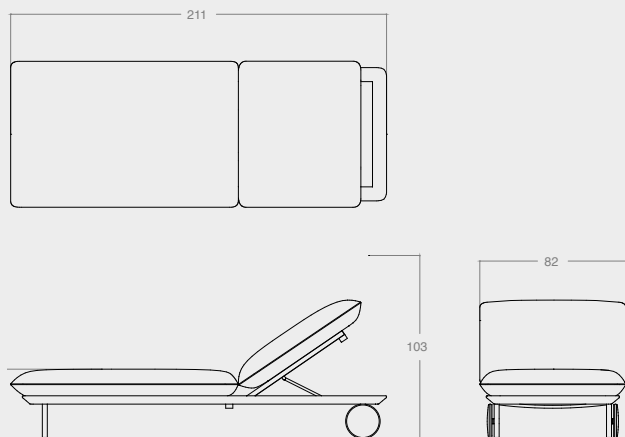
LOUNGE CHAIR
02312-XX-XX



Back cushion **C02312BW** and Seat cushion **C02312SW** are recommended for optimal seating

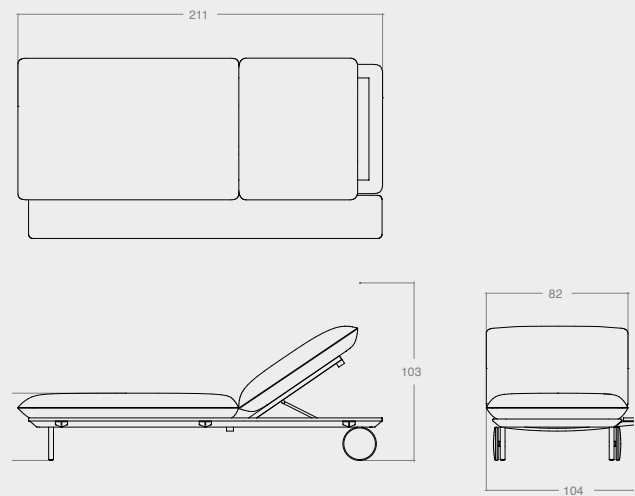


ADJUSTABLE LOUNGER
02340-XX



Cushion **C02340W** is recommended for optimal seating

ADJUSTABLE LOUNGER WITH THEAK TABLE TOP
02341-XX

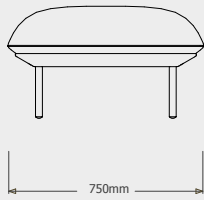
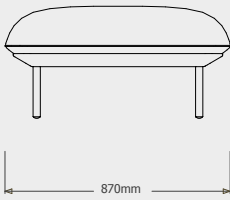


Cushion **C02340W** is recommended for optimal seating

TECHNICAL DRAWINGS

SENJA SOFA REGULAR SEAT - TOTAL DEPTH 92CM/36,25"

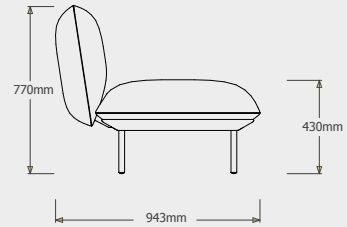
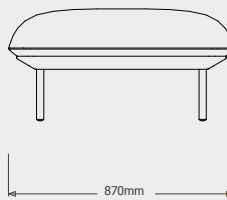
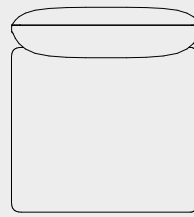
REGULAR SEAT - POUF MODULE
023200-X-Y



Cushion **C023200W** is recommended for optimal seating



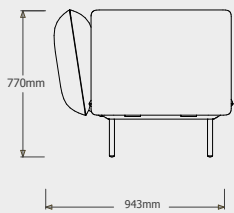
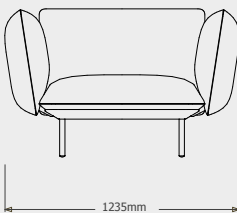
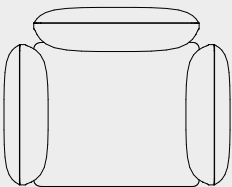
REGULAR SEAT - SINGLE MODULE
023201-X-Y



Cushion **C023201W** is recommended for optimal seating



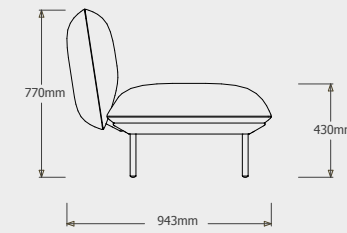
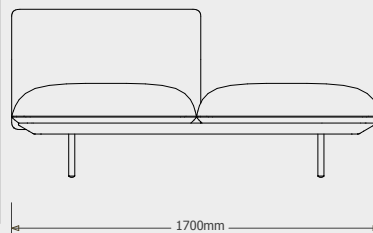
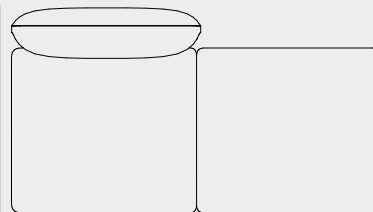
REGULAR SEAT - 1-SEATER ARM HIGH
023202-X-Y



Cushion **C023202W** is recommended for optimal seating



REGULAR SEAT - 1-SEATER ARM LOW
023203-X-Y



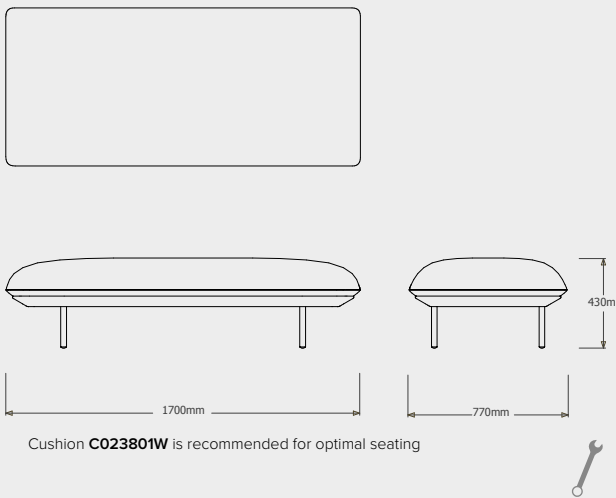
Cushion **C023203W** is recommended for optimal seating



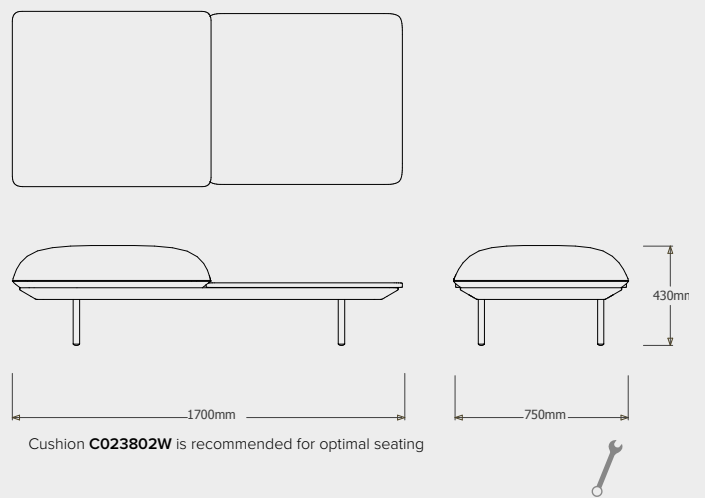
TECHNICAL DRAWINGS

SENJA SOFA REGULAR SEAT - TOTAL DEPTH 92CM/36,25"

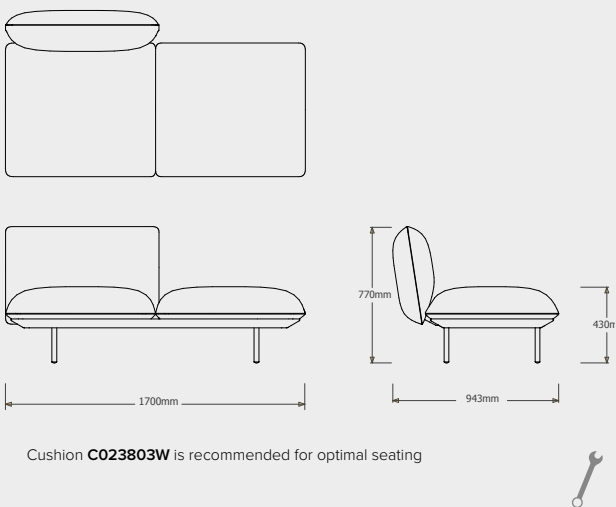
REGULAR SEAT - DOUBLE POUF MODULE
023801-X-Y



REGULAR SEAT - POUF + TABLE
023802-X-Y-Z



REGULAR SEAT - SINGLE MODULE + POUF
023803-X-Y



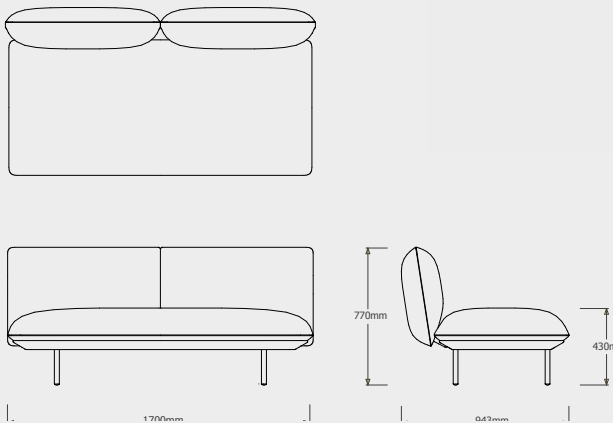
REGULAR SEAT - SINGLE MODULE + TABLE
023804-X-Y-Z



TECHNICAL DRAWINGS

SENJA SOFA REGULAR SEAT - TOTAL DEPTH 92CM/36,25"

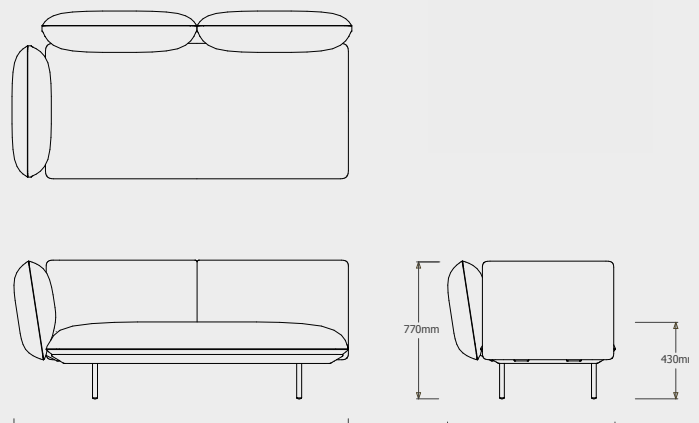
REGULAR SEAT - DOUBLE MODULE
023805-X-Y



Cushion **C023805W** is recommended for optimal seating



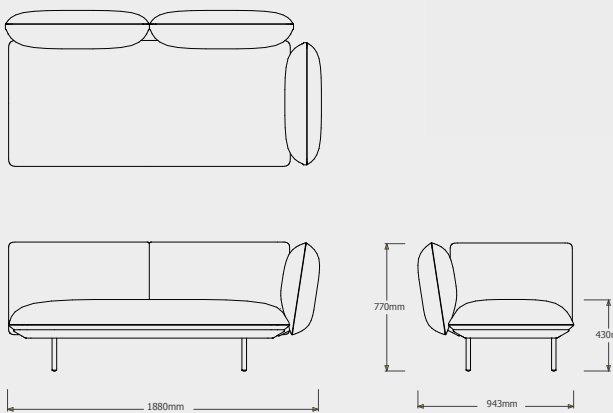
REGULAR SEAT - RIGHT CORNER ARM HIGH
023806-X-Y



Cushion **C023806W** is recommended for optimal seating



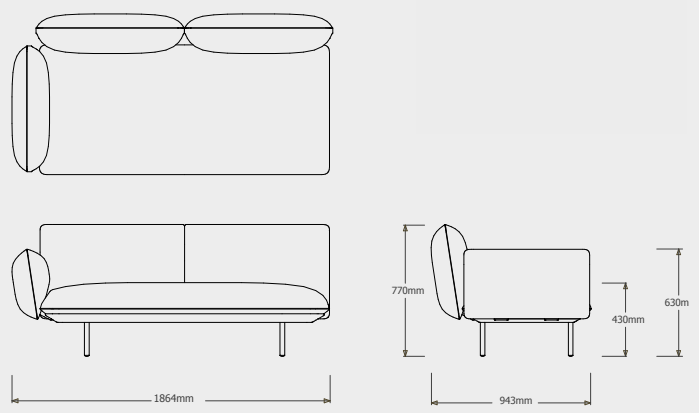
REGULAR SEAT - LEFT CORNER ARM HIGH
023807-X-Y



Cushion **C023807W** is recommended for optimal seating



REGULAR SEAT - RIGHT CORNER ARM LOW
023808-X-Y



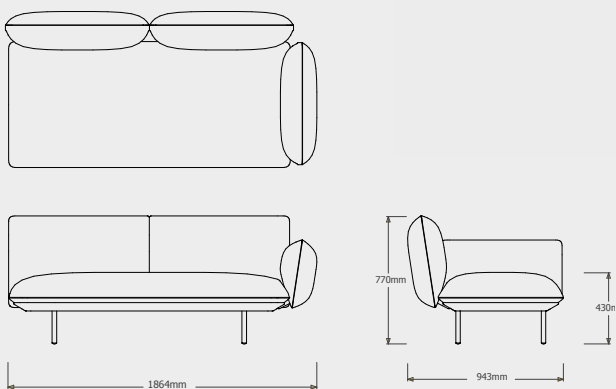
Cushion **C023808W** is recommended for optimal seating



TECHNICAL DRAWINGS

SENJA SOFA REGULAR SEAT - TOTAL DEPTH 92CM/36,25"

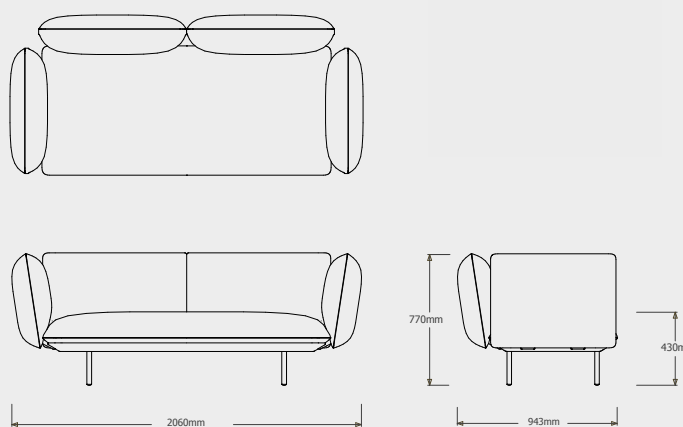
REGULAR SEAT - LEFT CORNER ARM LOW
023809-X-Y



Cushion **C023809W** is recommended for optimal seating



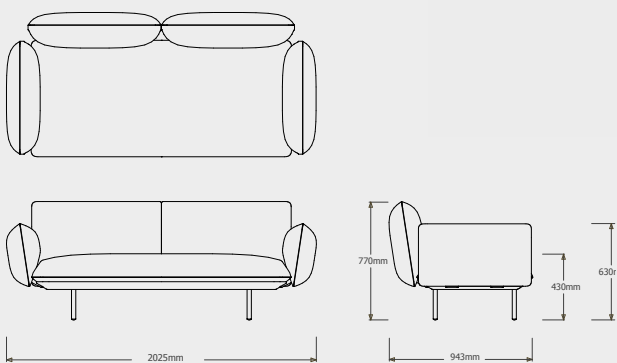
REGULAR SEAT - 2-SEATER ARM HIGH
023810-X-Y-Z



Cushion **C023810W** is recommended for optimal seating



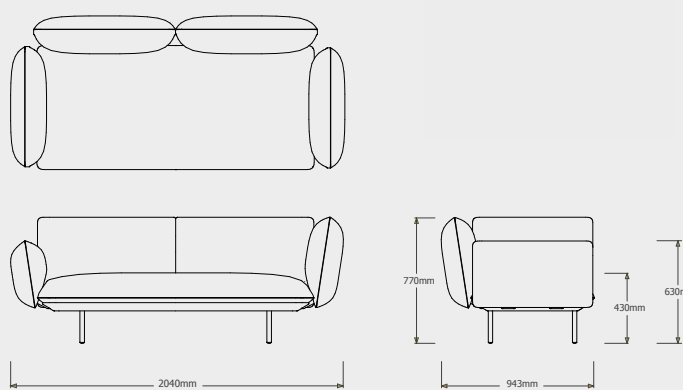
REGULAR SEAT - 2-SEATER ARM LOW
023811-X-Y



Cushion **C023811W** is recommended for optimal seating



REGULAR SEAT - 2-SEATER RIGHT ARM LOW/HIGH
023812-X-Y



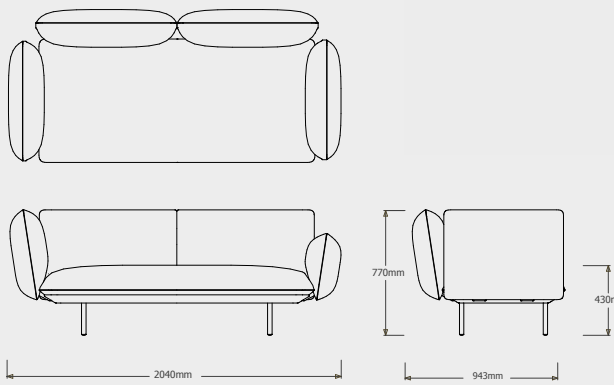
Cushion **C023812W** is recommended for optimal seating



TECHNICAL DRAWINGS

SENJA SOFA REGULAR SEAT - TOTAL DEPTH 92CM/36,25"

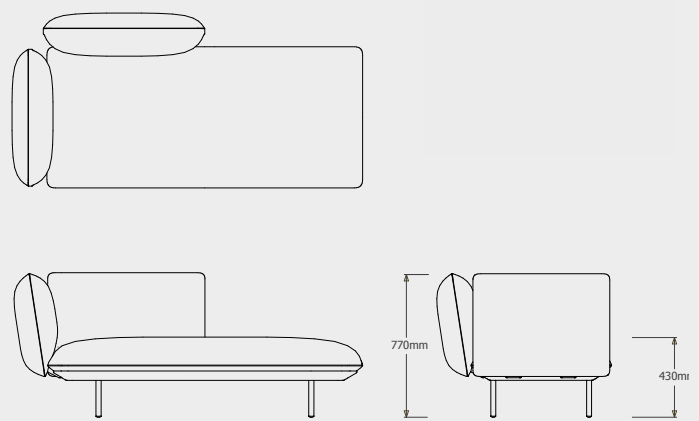
REGULAR SEAT - 2-SEATER LEFT ARM LOW/HIGH
023813-X-Y



Cushion **C023813W** is recommended for optimal seating



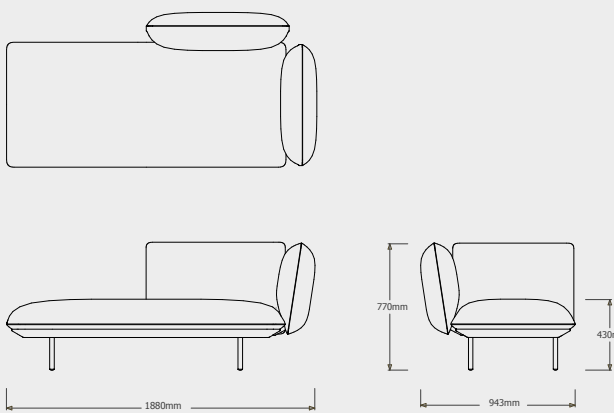
REGULAR SEAT - RIGHT CORNER ARM HIGH + POUF
023814-X-Y-Z



Cushion **C023814W** is recommended for optimal seating



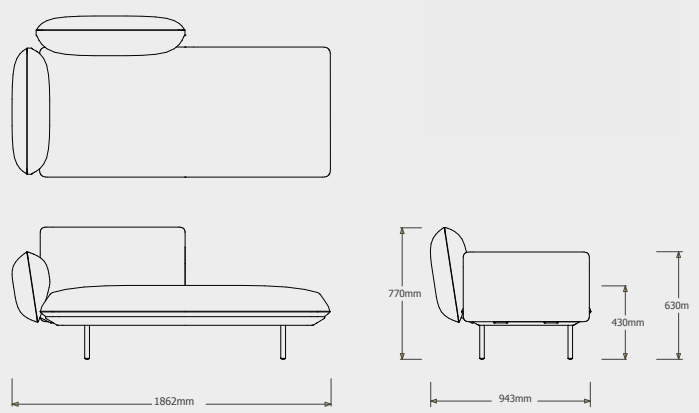
REGULAR SEAT - LEFT CORNER ARM HIGH + POUF
023815-X-Y



Cushion **C023815W** is recommended for optimal seating



REGULAR SEAT - RIGHT CORNER ARM LOW + POUF
023816-X-Y



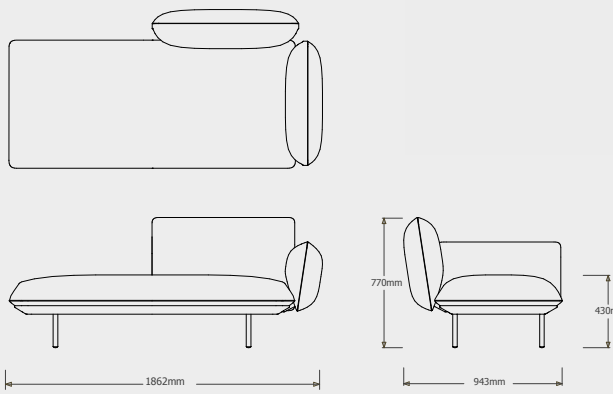
Cushion **C023816W** is recommended for optimal seating



TECHNICAL DRAWINGS

SENJA SOFA REGULAR SEAT - TOTAL DEPTH 92CM/36,25"

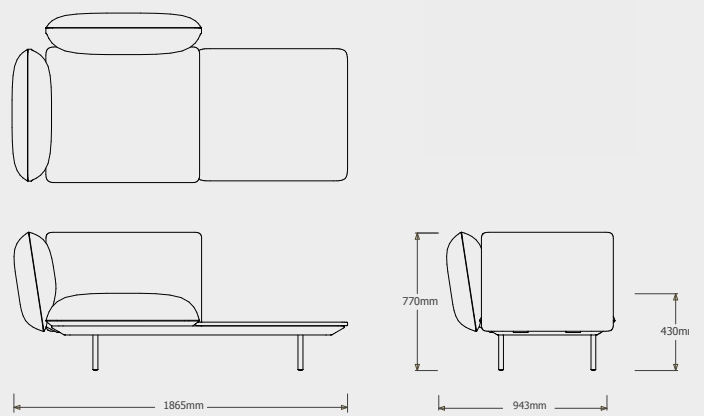
REGULAR SEAT - LEFT CORNER ARM LOW + POUF
023817-X-Y



Cushion **C023817W** is recommended for optimal seating



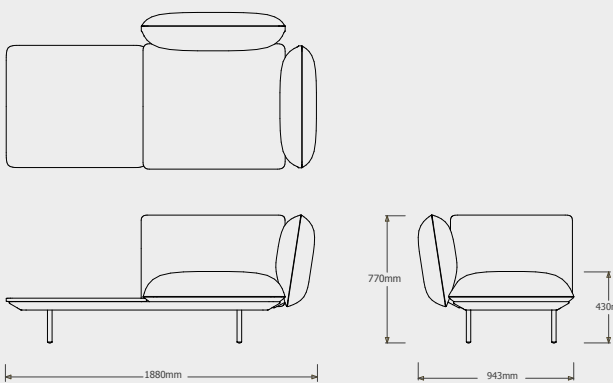
REGULAR SEAT - RIGHT CORNER ARM HIGH + TABLE
023818-X-Y-Z



Cushion **C023818W** is recommended for optimal seating



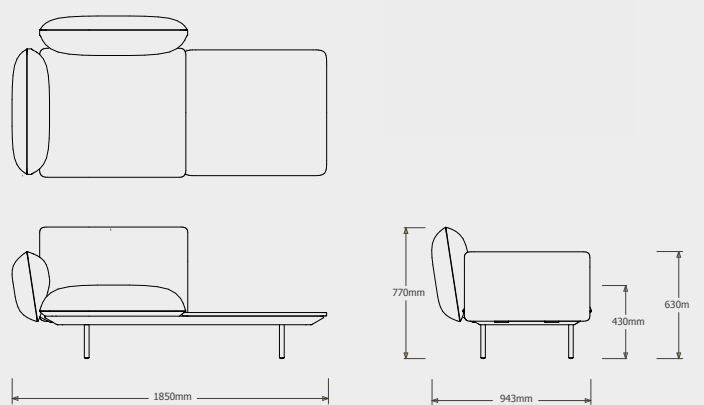
REGULAR SEAT - LEFT CORNER ARM HIGH + TABLE
023819-X-Y-Z



Cushion **C023819W** is recommended for optimal seating



REGULAR SEAT - RIGHT CORNER ARM LOW + TABLE
023820-X-Y-Z



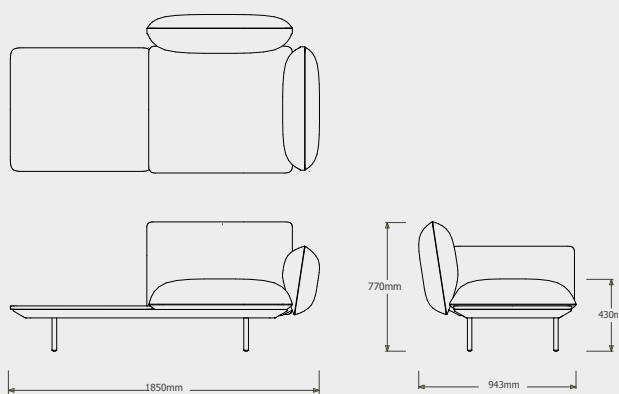
Cushion **C023820W** is recommended for optimal seating



TECHNICAL DRAWINGS

SENJA SOFA REGULAR SEAT - TOTAL DEPTH 92CM/36,25"

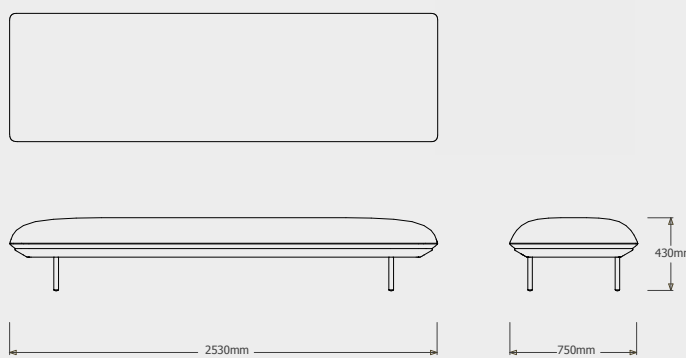
REGULAR SEAT - LEFT CORNER ARM LOW + TABLE
023821-X-Y-Z



Cushion **C023821W** is recommended for optimal seating



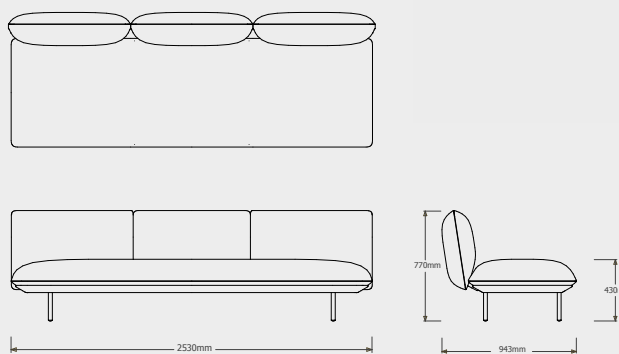
REGULAR SEAT - TRIPLE POUF MODULE
023901-X-Y



Cushion **C023901W** is recommended for optimal seating



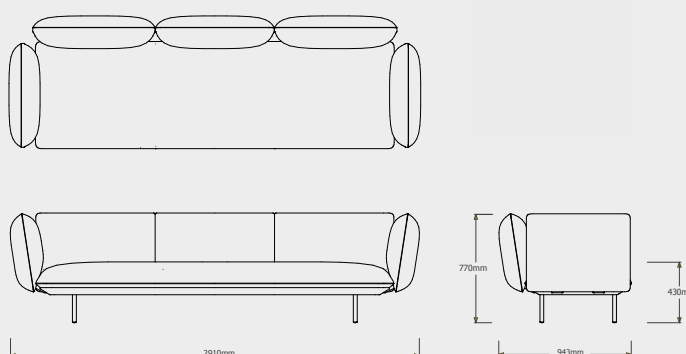
REGULAR SEAT - TRIPLE MODULE
023902-X-Y



Cushion **C023902W** is recommended for optimal seating



REGULAR SEAT - 3-SEATER ARM HIGH
023903-X-Y



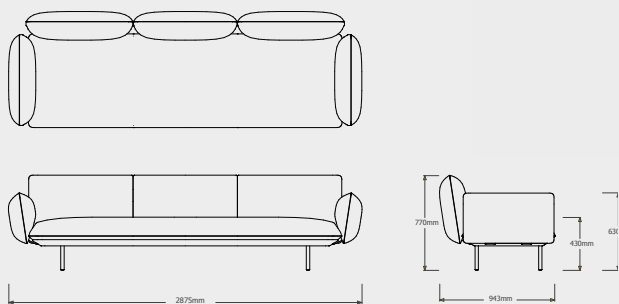
Cushion **C023903W** is recommended for optimal seating



TECHNICAL DRAWINGS

SENJA SOFA REGULAR SEAT - TOTAL DEPTH 92CM/36,25"

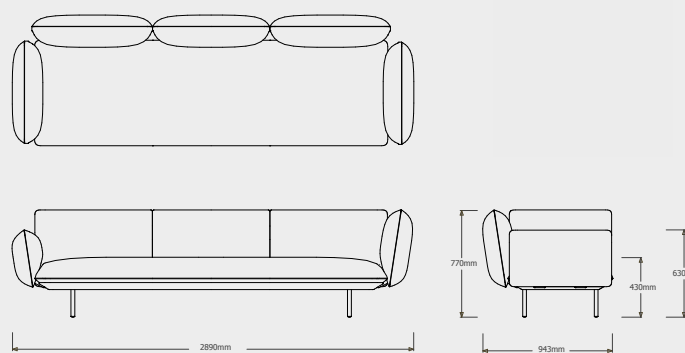
REGULAR SEAT - 3-SEATER ARM LOW
023904-X-Y



Cushion **C023904W** is recommended for optimal seating



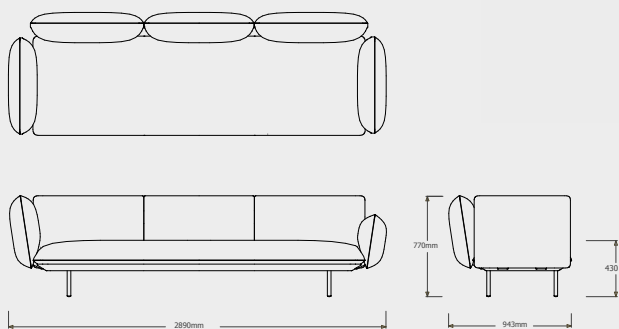
REGULAR SEAT - 3-SEATER RIGHT ARM LOW/HIGH
023905-X-Y



Cushion **C023905W** is recommended for optimal seating



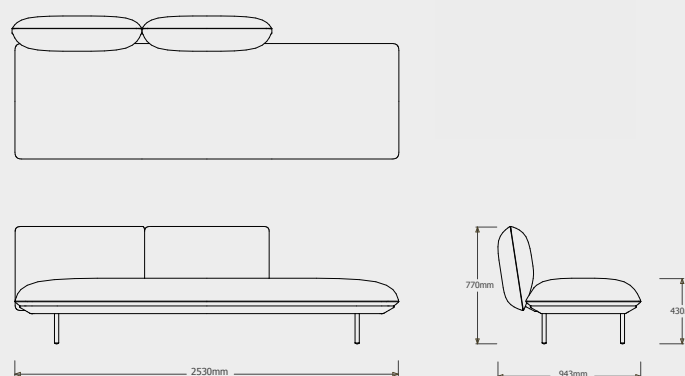
REGULAR SEAT - 3-SEATER LEFT ARM LOW/HIGH
023906-X-Y



Cushion **C023906W** is recommended for optimal seating



REGULAR SEAT - RIGHT EXTENSION + POUF
023907-X-Y



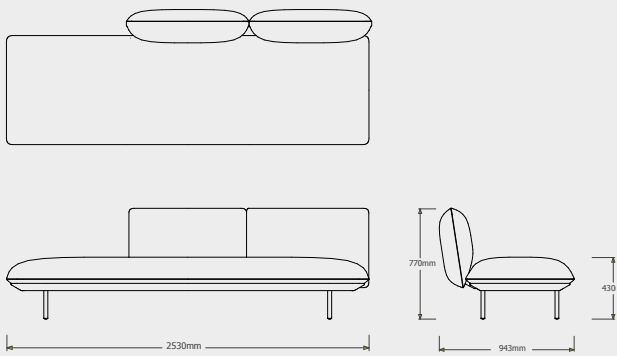
Cushion **C023907W** is recommended for optimal seating



TECHNICAL DRAWINGS

SENJA SOFA REGULAR SEAT - TOTAL DEPTH 92CM/36,25"

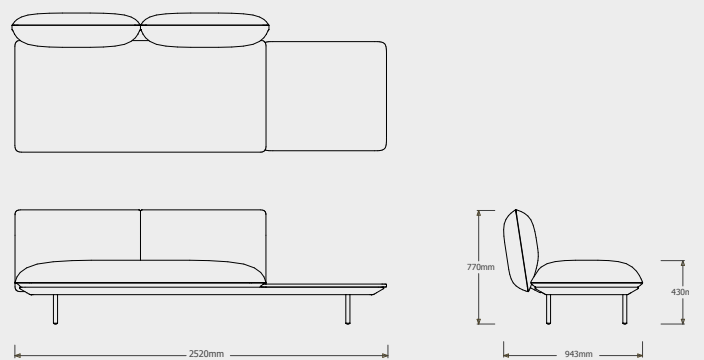
REGULAR SEAT - LEFT EXTENSION + POUF
023908-X-Y



Cushion **C023908W** is recommended for optimal seating



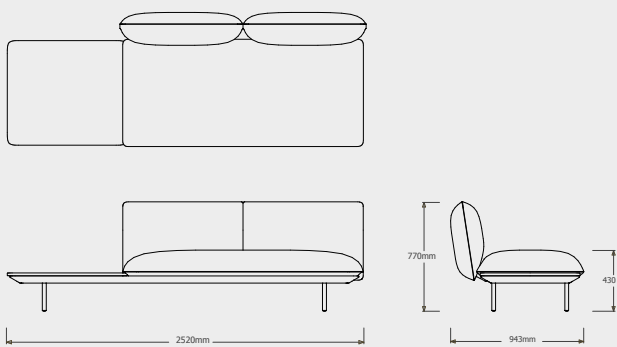
REGULAR SEAT - RIGHT EXTENSION + TABLE
023909-X-Y-Z



Cushion **C023909W** is recommended for optimal seating



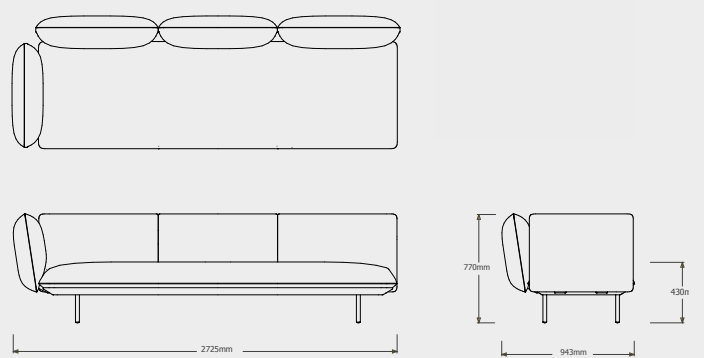
REGULAR SEAT - LEFT EXTENSION + TABLE
023910-X-Y-Z



Cushion **C023910W** is recommended for optimal seating



REGULAR SEAT - RIGHT CORNER ARM HIGH
023911-X-Y



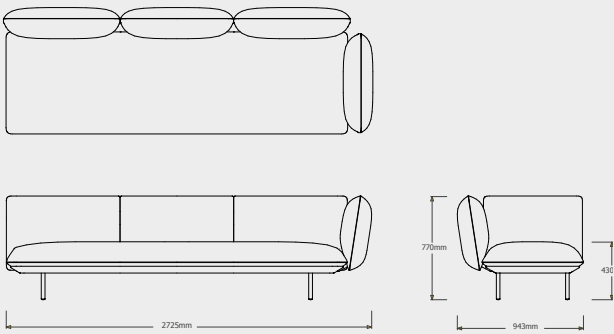
Cushion **C023911W** is recommended for optimal seating



TECHNICAL DRAWINGS

SENJA SOFA REGULAR SEAT - TOTAL DEPTH 92CM/36,25"

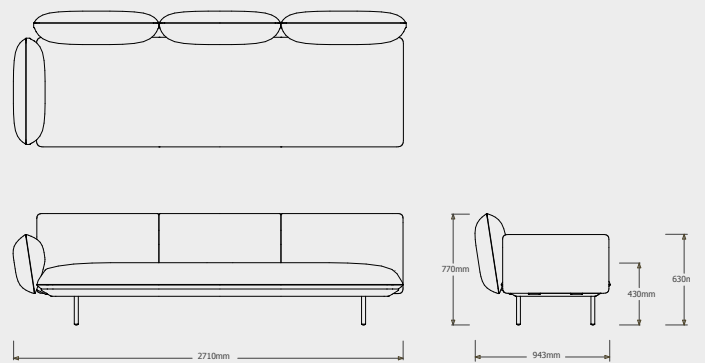
REGULAR SEAT - LEFT CORNER ARM HIGH
023912-X-Y



Cushion **C023912W** is recommended for optimal seating



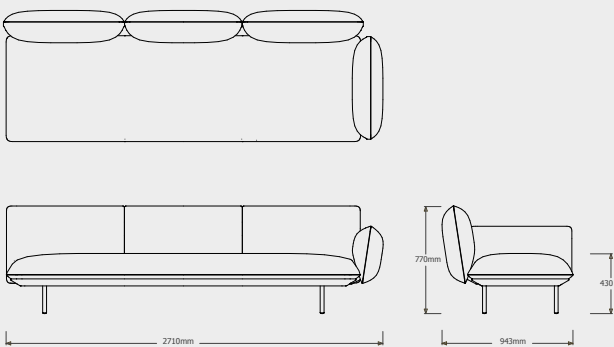
REGULAR SEAT - RIGHT CORNER ARM LOW
023913-X-Y



Cushion **C023913W** is recommended for optimal seating



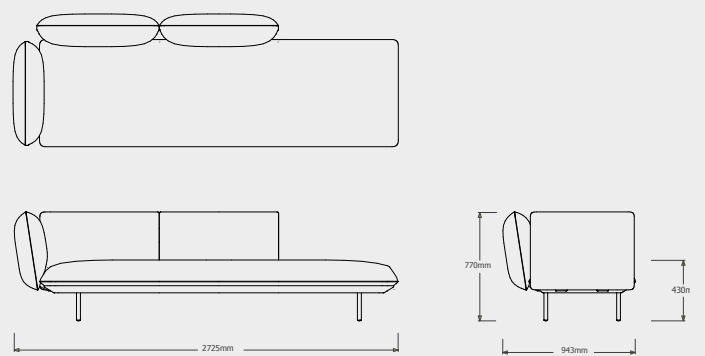
REGULAR SEAT - LEFT CORNER ARM LOW
023914-X-Y



Cushion **C023914W** is recommended for optimal seating



REGULAR SEAT - RIGHT CORNER ARM HIGH + POUF
023915-X-Y



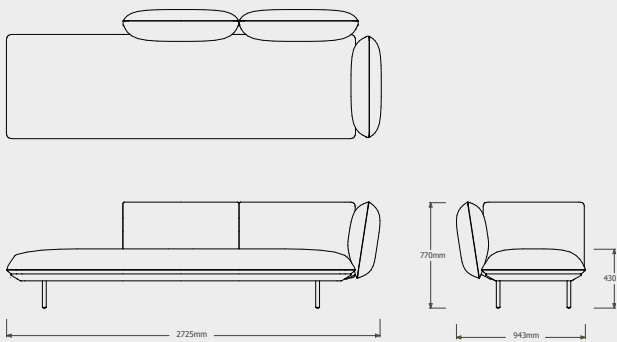
Cushion **C023915W** is recommended for optimal seating



TECHNICAL DRAWINGS

SENJA SOFA REGULAR SEAT - TOTAL DEPTH 92CM/36,25"

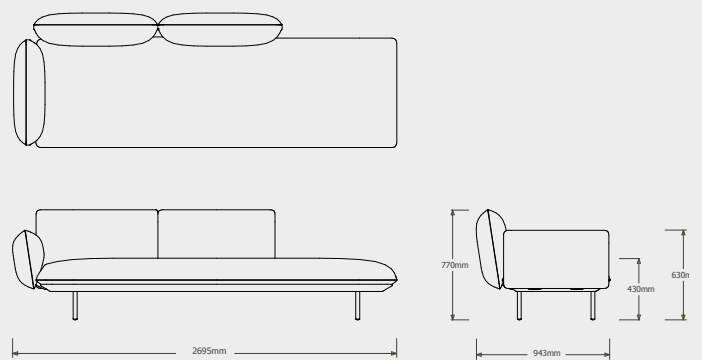
REGULAR SEAT - LEFT CORNER ARM HIGH + POUF
023916-X-Y



Cushion **C023916W** is recommended for optimal seating



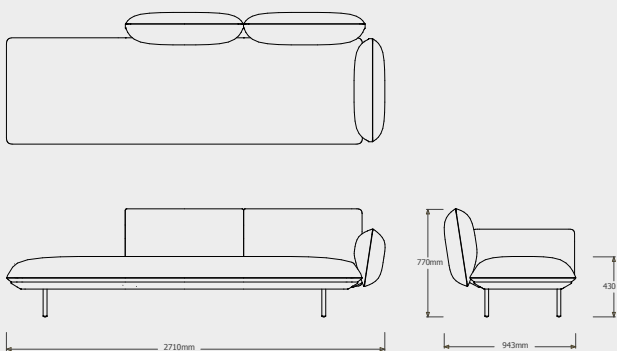
REGULAR SEAT - RIGHT CORNER ARM LOW + POUF
023917-X-Y



Cushion **C023917W** is recommended for optimal seating



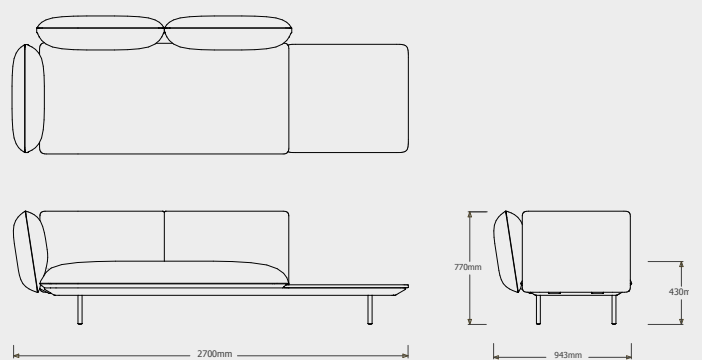
REGULAR SEAT - LEFT CORNER ARM LOW + POUF
023918-X-Y



Cushion **C023918W** is recommended for optimal seating



REGULAR SEAT - RIGHT CORNER ARM HIGH + TABLE
023919-X-Y-Z



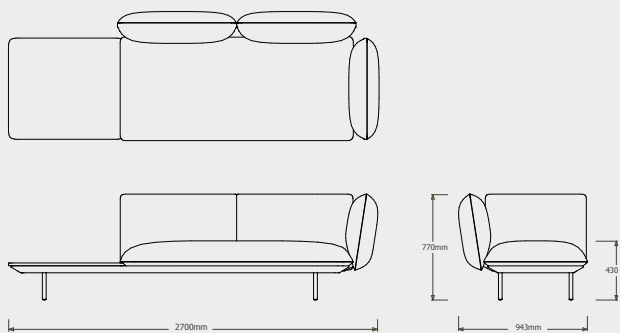
Cushion **C023919W** is recommended for optimal seating



TECHNICAL DRAWINGS

SENJA SOFA REGULAR SEAT - TOTAL DEPTH 92CM/36,25"

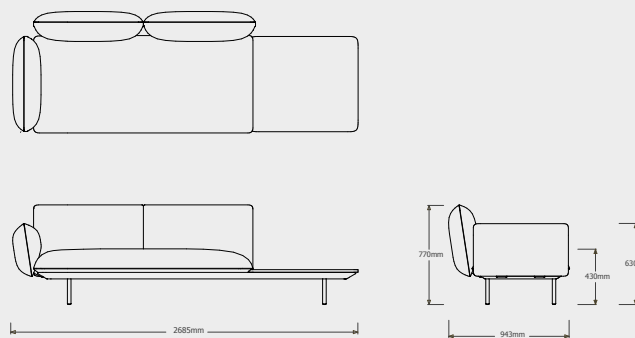
REGULAR SEAT - LEFT CORNER ARM HIGH + POUF
023920-X-Y-Z



Cushion **C023920W** is recommended for optimal seating



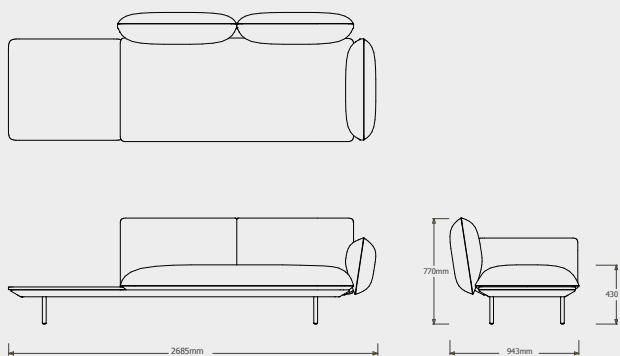
REGULAR SEAT - RIGHT CORNER ARM LOW + POUF
023921-X-Y-Z



Cushion **C023921W** is recommended for optimal seating



REGULAR SEAT - LEFT CORNER ARM LOW + POUF
023922-X-Y-Z



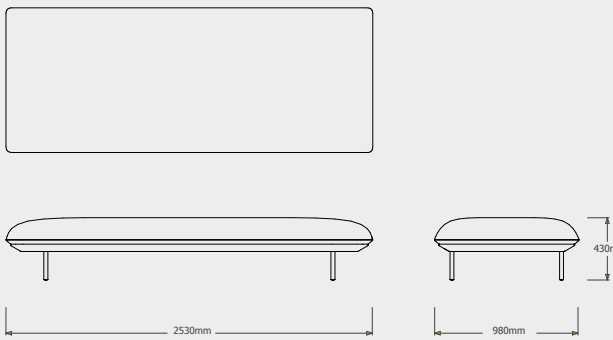
Cushion **C023922W** is recommended for optimal seating



TECHNICAL DRAWINGS

SENJA SOFA DEEP SEAT - TOTAL DEPTH 116CM/45,75"

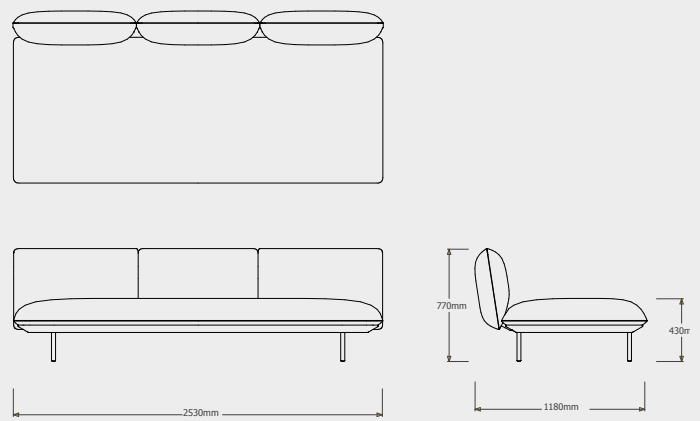
DEEP SEAT - DOUBLE POUF MODULE
023951-X-Y



Cushion **C023951W** is recommended for optimal seating



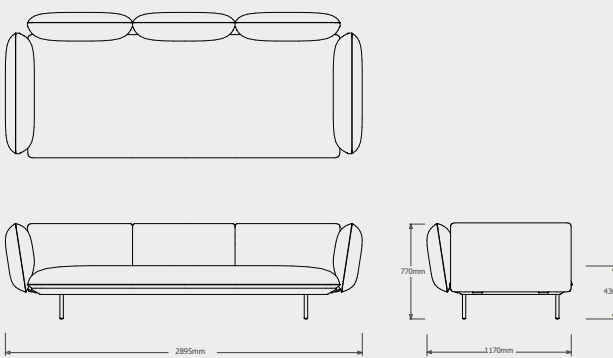
DEEP SEAT - POUF + TABLE
023952-X-Y-Z



Cushion **C023952W** is recommended for optimal seating



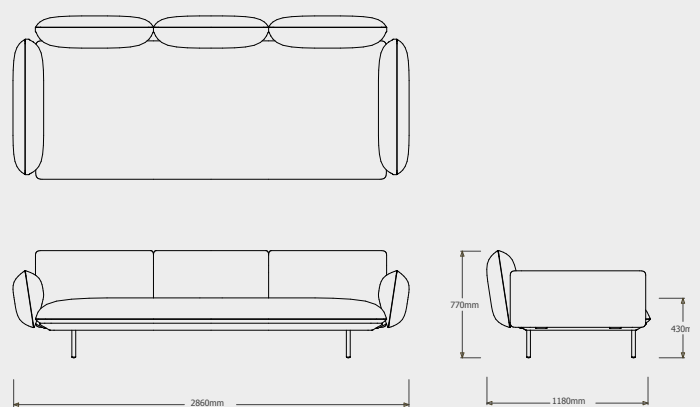
DEEP SEAT - SINGLE MODULE + POUF
023953-X-Y



Cushion **C023953W** is recommended for optimal seating



DEEP SEAT - SINGLE MODULE + TABLE
023954-X-Y-Z



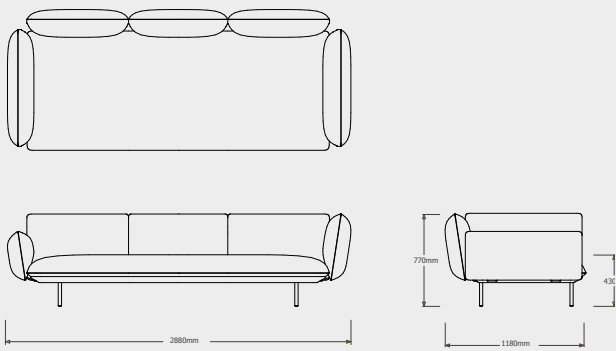
Cushion **C023954W** is recommended for optimal seating



TECHNICAL DRAWINGS

SENJA SOFA DEEP SEAT - TOTAL DEPTH 116CM/45,75"

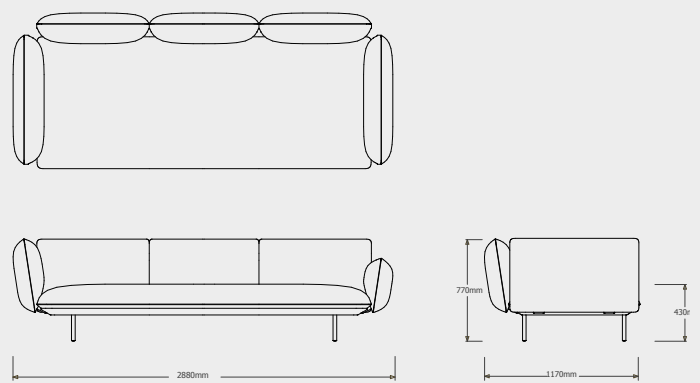
DEEP SEAT - DOUBLE MODULE
023955-X-Y



Cushion **C023955W** is recommended for optimal seating



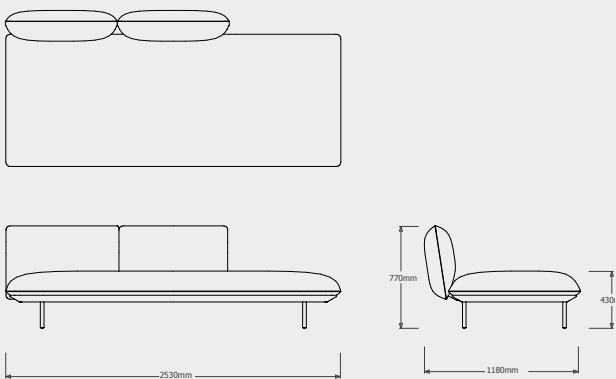
DEEP SEAT - RIGHT CORNER ARM HIGH
023956-X-Y



Cushion **C023956W** is recommended for optimal seating



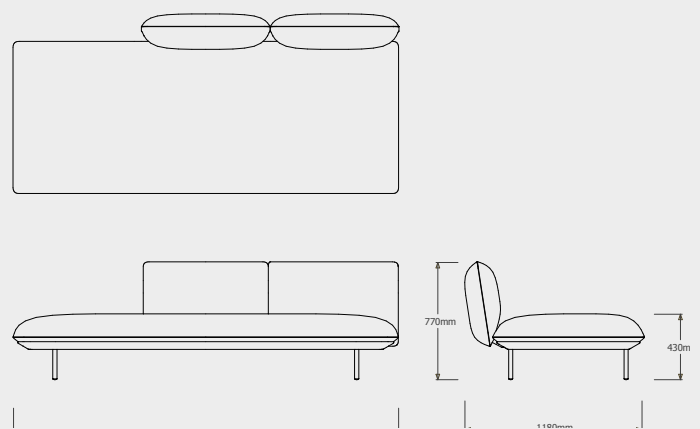
DEEP SEAT - LEFT CORNER ARM HIGH
023957-X-Y



Cushion **C023957W** is recommended for optimal seating



DEEP SEAT - RIGHT CORNER ARM LOW
023958-X-Y



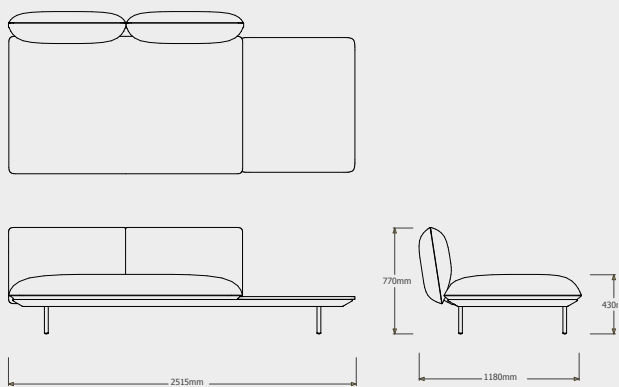
Cushion **C023958W** is recommended for optimal seating



TECHNICAL DRAWINGS

SENJA SOFA DEEP SEAT - TOTAL DEPTH 116CM/45,75"

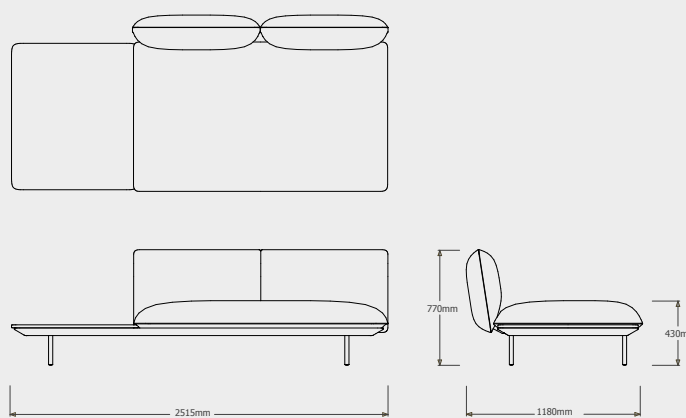
DEEP SEAT - LEFT CORNER ARM LOW
023859-X-Y



Cushion **C023859W** is recommended for optimal seating



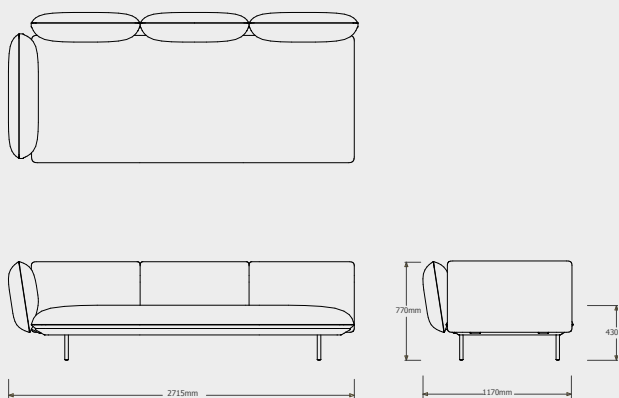
DEEP SEAT - 2-SEATER ARM HIGH
023860-X-Y



Cushion **C023860W** is recommended for optimal seating



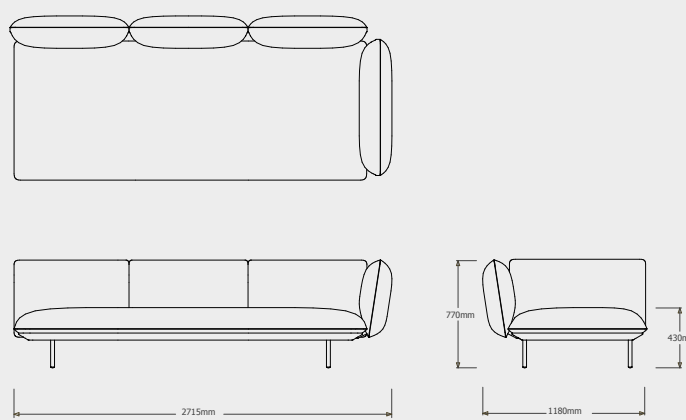
DEEP SEAT - 2-SEATER ARM LOW
023861-X-Y



Cushion **C023861W** is recommended for optimal seating



DEEP SEAT - 2-SEATER RIGHT ARM LOW/HIGH
023862-X-Y



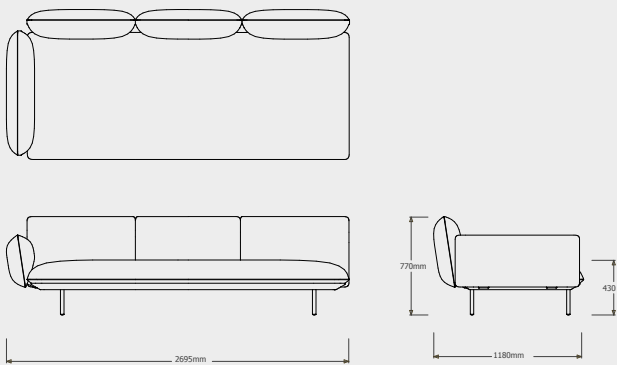
Cushion **C023862W** is recommended for optimal seating



TECHNICAL DRAWINGS

SENJA SOFA DEEP SEAT - TOTAL DEPTH 116CM/45,75"

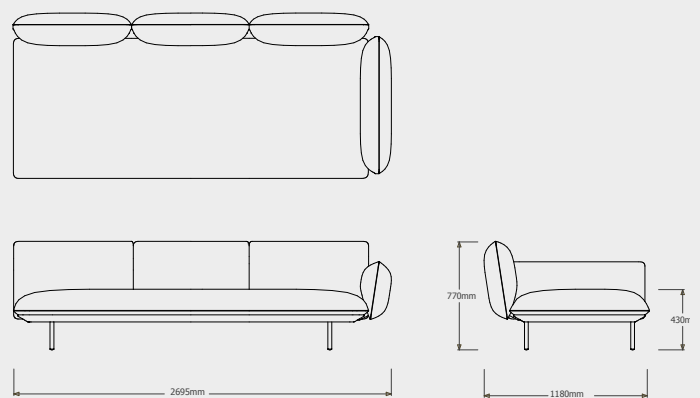
DEEP SEAT - 2-SEATER LEFT ARM LOW/HIGH
023863-X-Y



Cushion **C023863W** is recommended for optimal seating



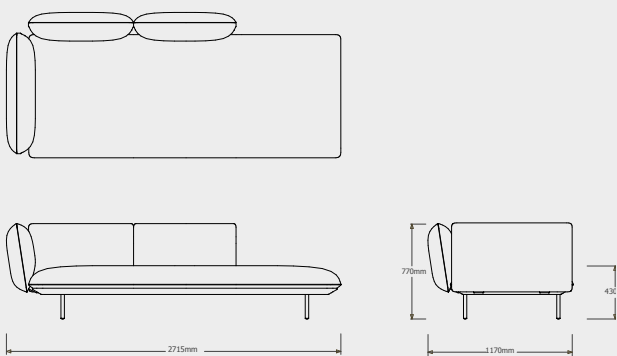
DEEP SEAT - RIGHT CORNER ARM HIGH + POUF
023864-X-Y



Cushion **C023864W** is recommended for optimal seating



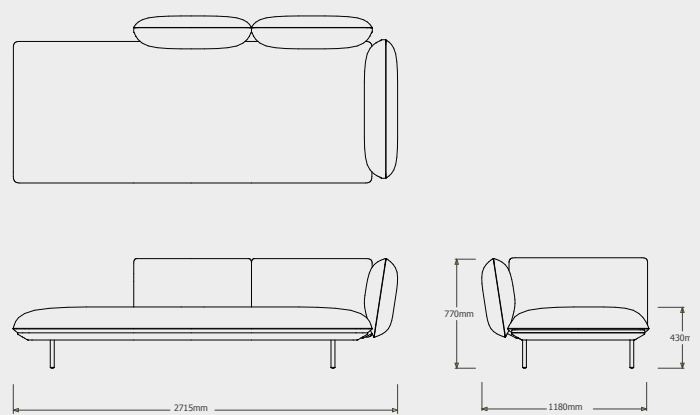
DEEP SEAT - LEFT CORNER ARM HIGH + POUF
023865-X-Y



Cushion **C023865W** is recommended for optimal seating



DEEP SEAT - RIGHT CORNER ARM LOW + POUF
023866-X-Y



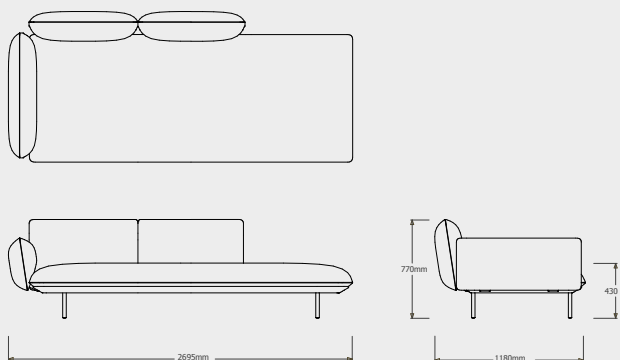
Cushion **C023866W** is recommended for optimal seating



TECHNICAL DRAWINGS

SENJA SOFA DEEP SEAT - TOTAL DEPTH 116CM/45,75"

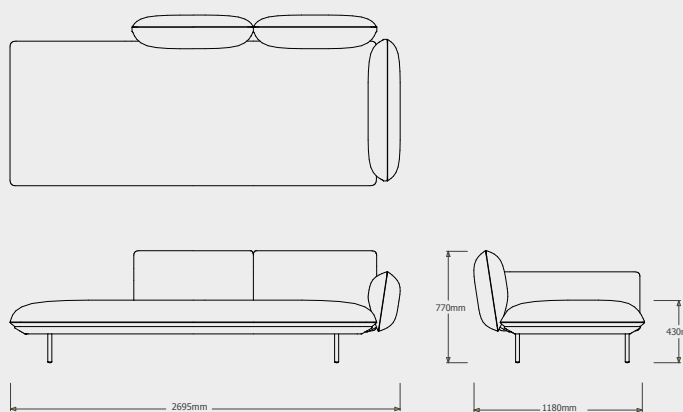
DEEP SEAT - LEFT CORNER ARM LOW + POUF
023867-X-Y



Cushion **C023867W** is recommended for optimal seating



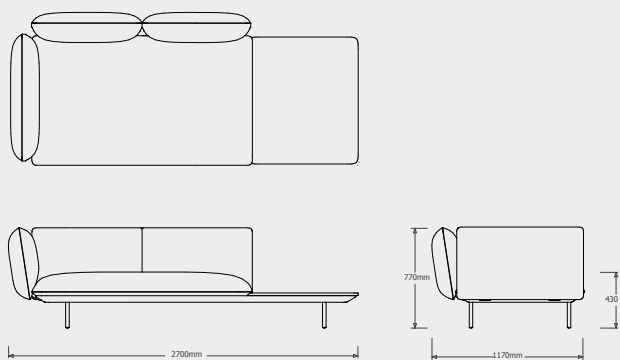
DEEP SEAT - RIGHT CORNER ARM HIGH + TABLE
023868-X-Y-Z



Cushion **C023868W** is recommended for optimal seating



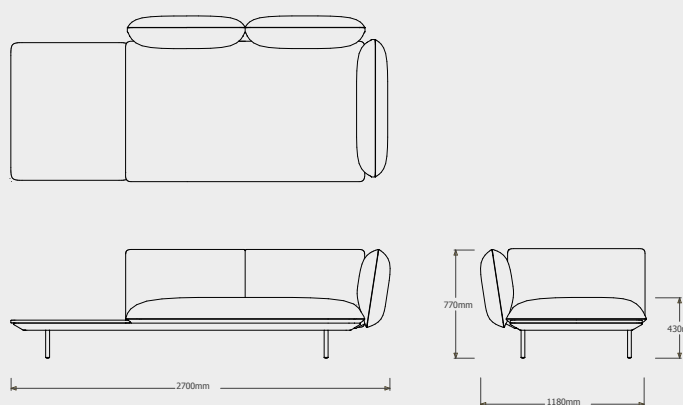
DEEP SEAT - LEFT CORNER ARM HIGH + TABLE
023869-X-Y-Z



Cushion **C023869W** is recommended for optimal seating



DEEP SEAT - RIGHT CORNER ARM LOW + TABLE
023870-X-Y-Z



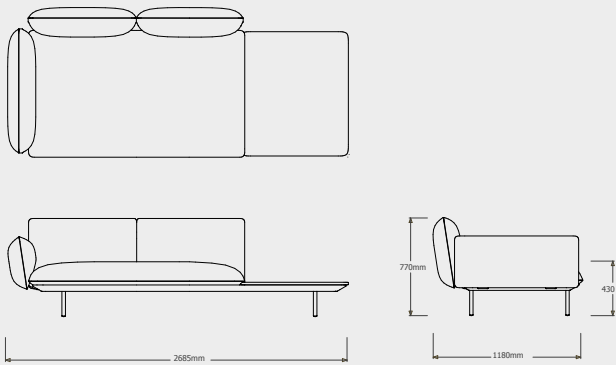
Cushion **C023870W** is recommended for optimal seating



TECHNICAL DRAWINGS

SENJA SOFA DEEP SEAT - TOTAL DEPTH 116CM/45,75"

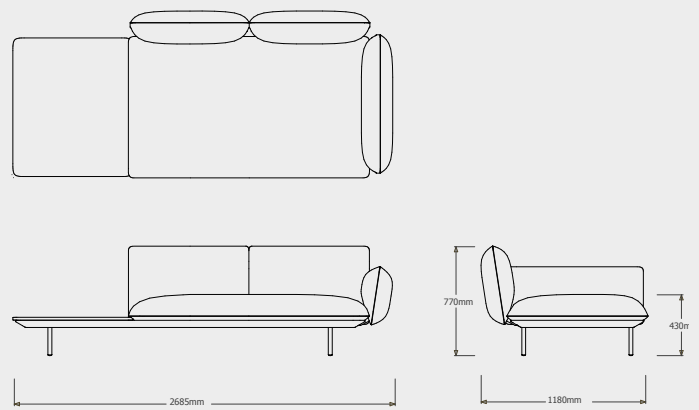
DEEP SEAT - LEFT CORNER ARM LOW + TABLE
023871-X-Y-Z



Cushion **C023871W** is recommended for optimal seating



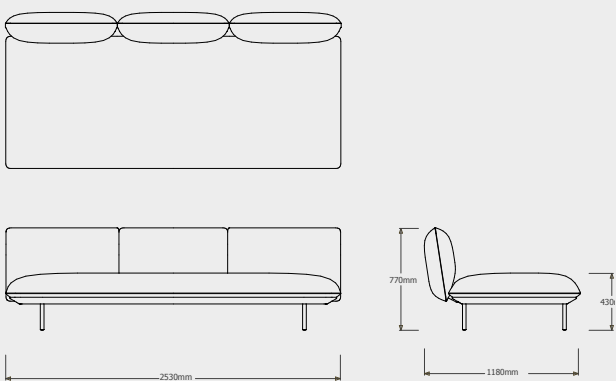
DEEP SEAT - TRIPLE POUF MODULE
023951-X-Y



Cushion **C023951W** is recommended for optimal seating



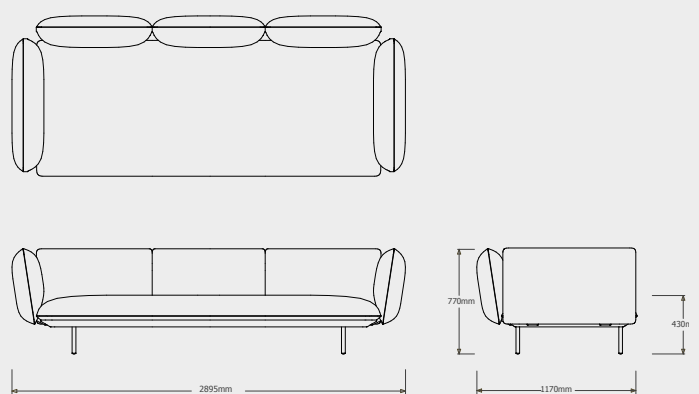
DEEP SEAT - TRIPLE MODULE
023952-X-Y



Cushion **C023952W** is recommended for optimal seating



DEEP SEAT - 3-SEATER ARM HIGH
023953-X-Y



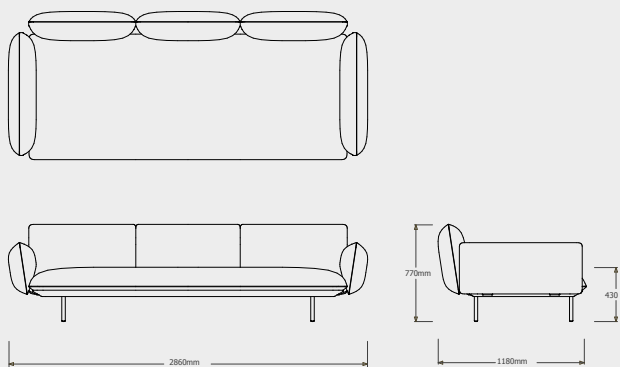
Cushion **C023953W** is recommended for optimal seating



TECHNICAL DRAWINGS

SENJA SOFA DEEP SEAT - TOTAL DEPTH 116CM/45,75"

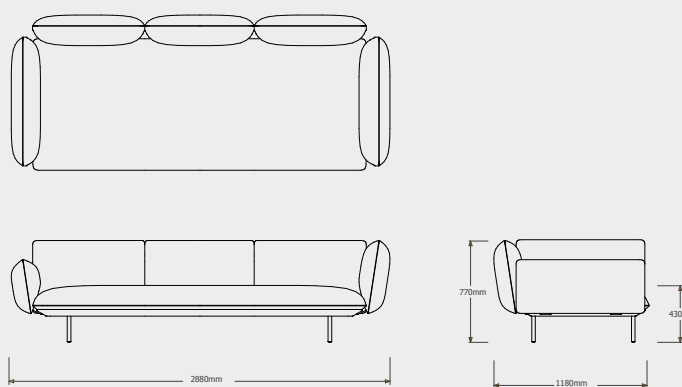
DEEP SEAT - 3-SEATER ARM LOW
023954-X-Y



Cushion **C023954W** is recommended for optimal seating



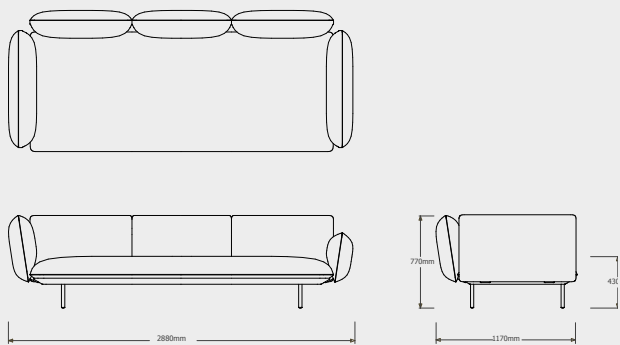
DEEP SEAT - 3-SEATER RIGHT ARM LOW/HIGH
023955-X-Y



Cushion **C023955W** is recommended for optimal seating



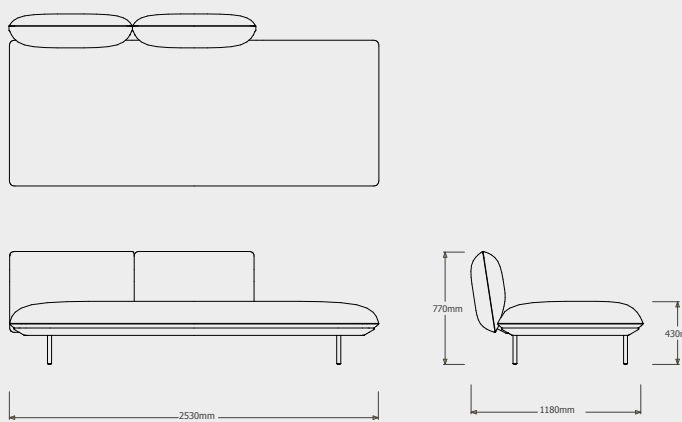
DEEP SEAT - 3-SEATER LEFT ARM LOW/HIGH
023956-X-Y



Cushion **C023956W** is recommended for optimal seating



DEEP SEAT - RIGHT EXTENSION + POUF
023957-X-Y



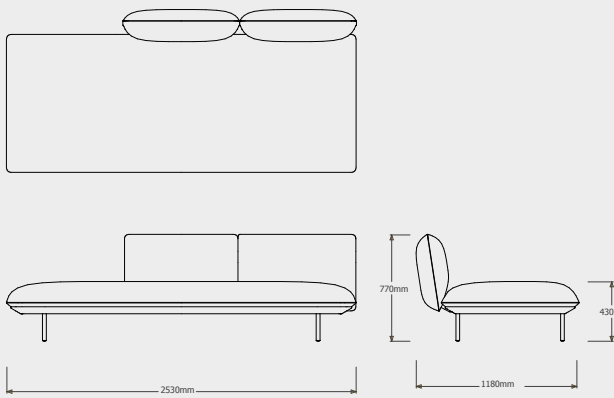
Cushion **C023957W** is recommended for optimal seating



TECHNICAL DRAWINGS

SENJA SOFA DEEP SEAT - TOTAL DEPTH 116CM/45,75"

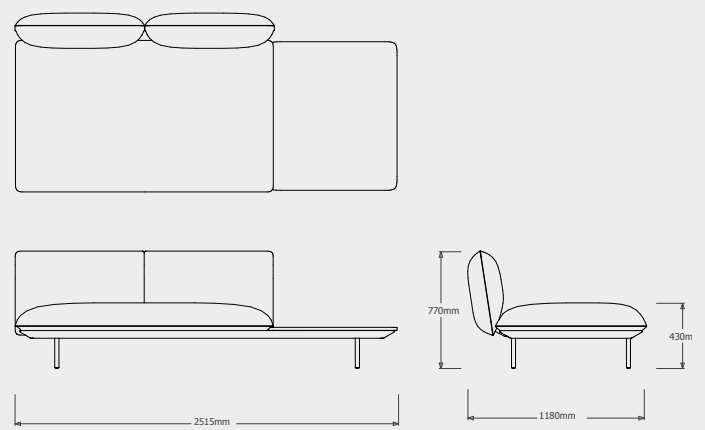
DEEP SEAT - LEFT EXTENSION + POUF
023958-X-Y



Cushion **C023958W** is recommended for optimal seating



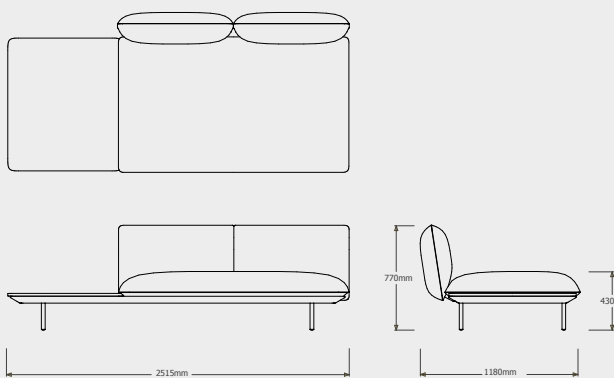
DEEP SEAT - RIGHT EXTENSION + TABLE
023959-X-Y-Z



Cushion **C023959W** is recommended for optimal seating



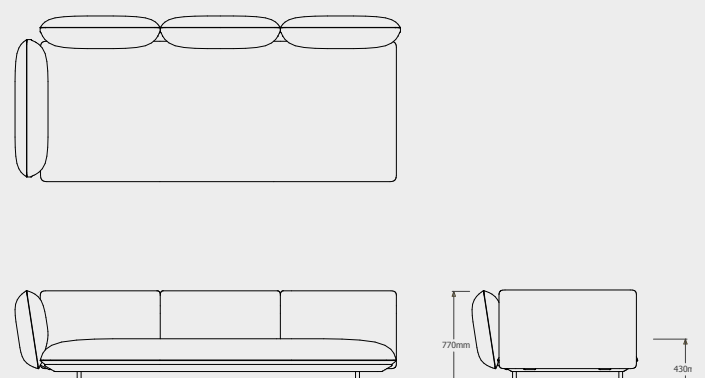
DEEP SEAT - LEFT EXTENSION + TABLE
023960-X-Y-Z



Cushion **C023960W** is recommended for optimal seating



DEEP SEAT - RIGHT CORNER ARM HIGH
023961-X-Y



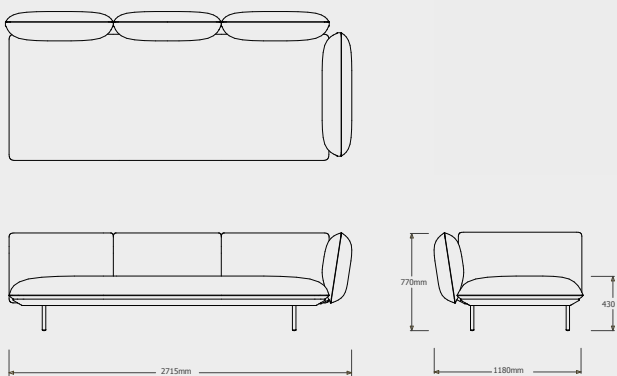
Cushion **C023961W** is recommended for optimal seating



TECHNICAL DRAWINGS

SENJA SOFA DEEP SEAT - TOTAL DEPTH 116CM/45,75"

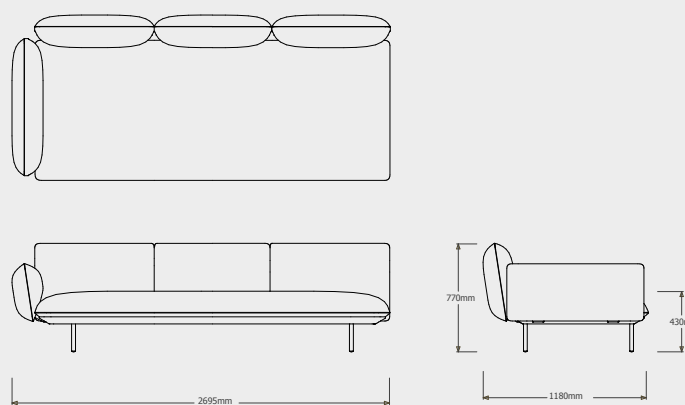
DEEP SEAT - LEFT CORNER ARM HIGH
023962-X-Y



Cushion **C023962W** is recommended for optimal seating



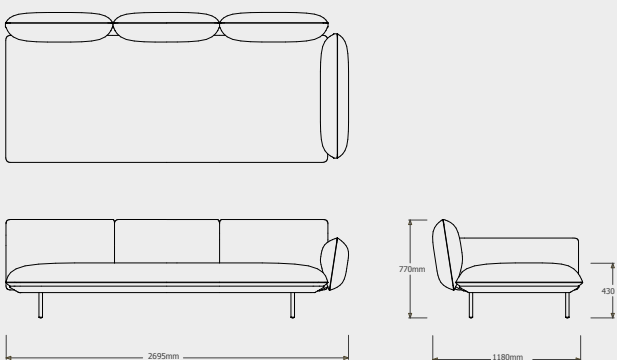
DEEP SEAT - RIGHT CORNER ARM LOW
023963-X-Y



Cushion **C023963W** is recommended for optimal seating



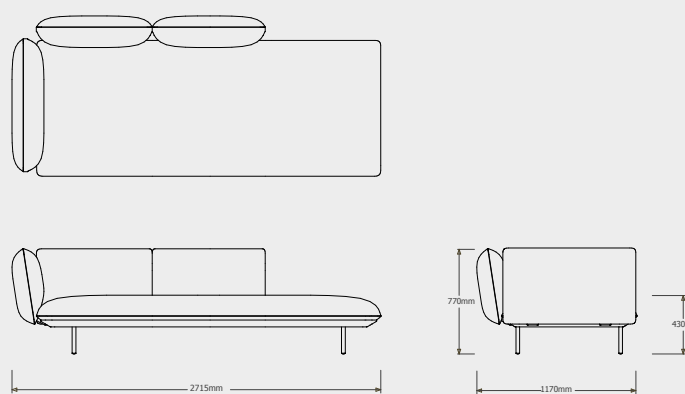
DEEP SEAT - LEFT CORNER ARM LOW
023964-X-Y



Cushion **C023964W** is recommended for optimal seating



DEEP SEAT - RIGHT CORNER ARM HIGH + POUF
023965-X-Y



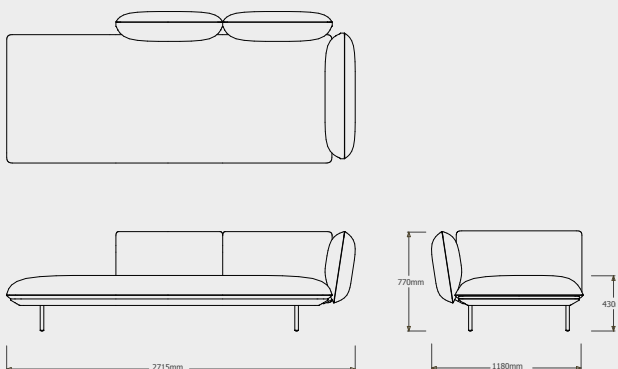
Cushion **C023965W** is recommended for optimal seating



TECHNICAL DRAWINGS

SENJA SOFA DEEP SEAT - TOTAL DEPTH 116CM/45,75"

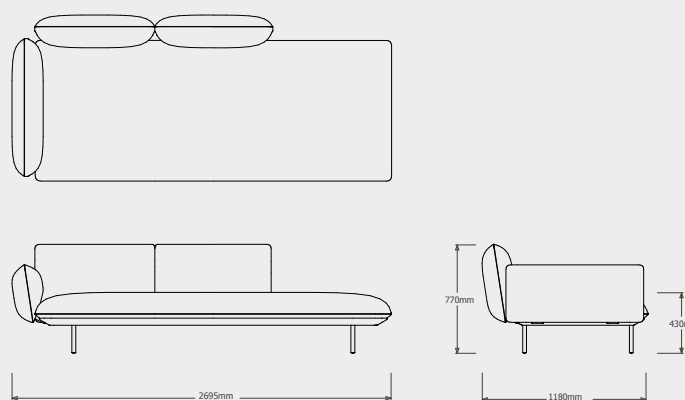
DEEP SEAT - LEFT CORNER ARM HIGH + POUF
023966-X-Y



Cushion **C023966W** is recommended for optimal seating



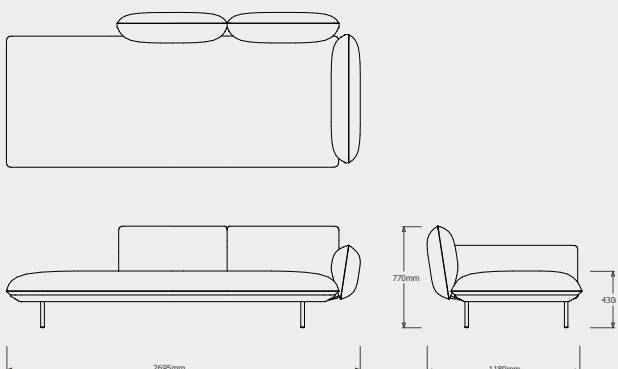
DEEP SEAT - RIGHT CORNER ARM LOW + POUF
023967-X-Y



Cushion **C023967W** is recommended for optimal seating



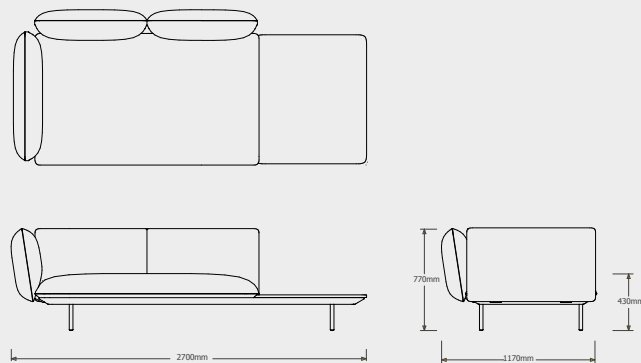
DEEP SEAT - LEFT CORNER ARM LOW + POUF
023968-X-Y



Cushion **C023968W** is recommended for optimal seating



DEEP SEAT - RIGHT CORNER ARM HIGH + TABLE
023969-X-Y-Z



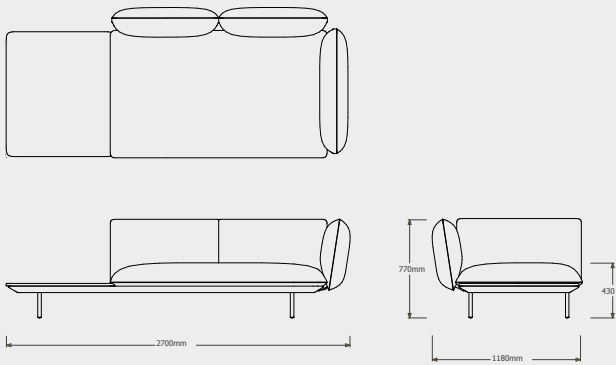
Cushion **C023969W** is recommended for optimal seating



TECHNICAL DRAWINGS

SENJA SOFA DEEP SEAT - TOTAL DEPTH 116CM/45,75"

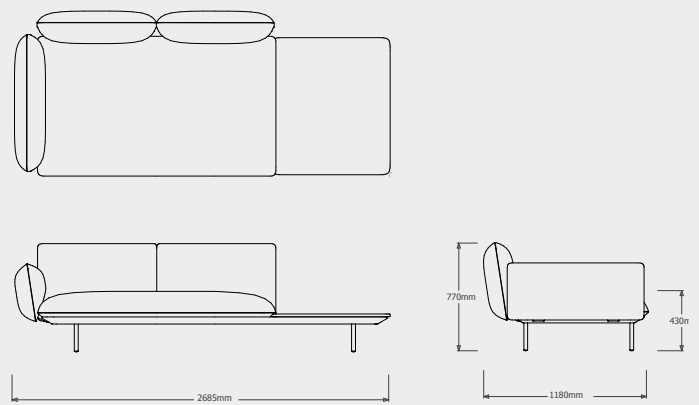
DEEP SEAT - LEFT CORNER ARM HIGH + TABLE
023970-X-Y-Z



Cushion **C023970W** is recommended for optimal seating



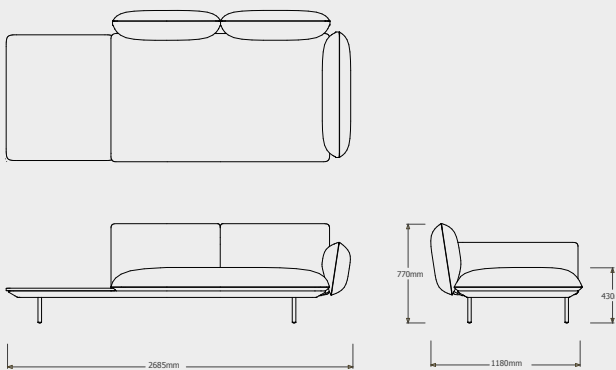
DEEP SEAT - RIGHT CORNER ARM LOW + TABLE
023971-X-Y-Z



Cushion **C023971W** is recommended for optimal seating



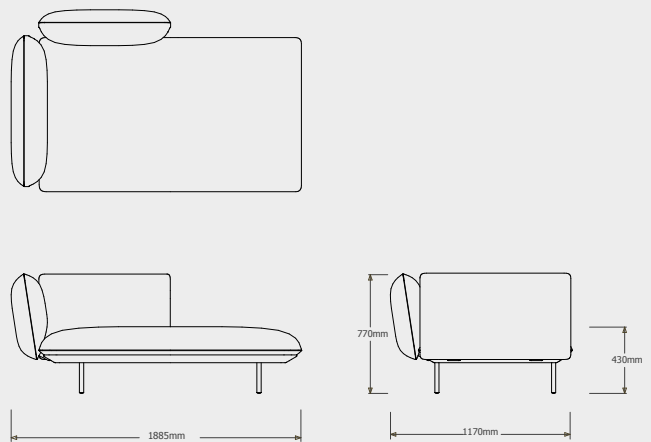
DEEP SEAT - LEFT CORNER ARM LOW +TABLE
023972-X-Y-Z



Cushion **C023972W** is recommended for optimal seating



DEEP SEAT - MERIDIENNE LEFT ARM HIGH
023301-X-Y



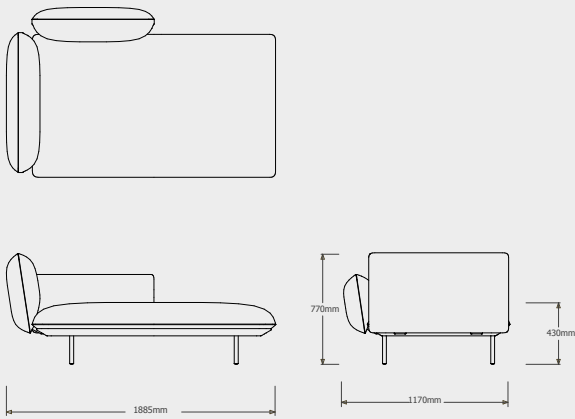
Cushion **C023301W** is recommended for optimal seating



TECHNICAL DRAWINGS

SENJA SOFA DEEP SEAT - TOTAL DEPTH 116CM/45,75"

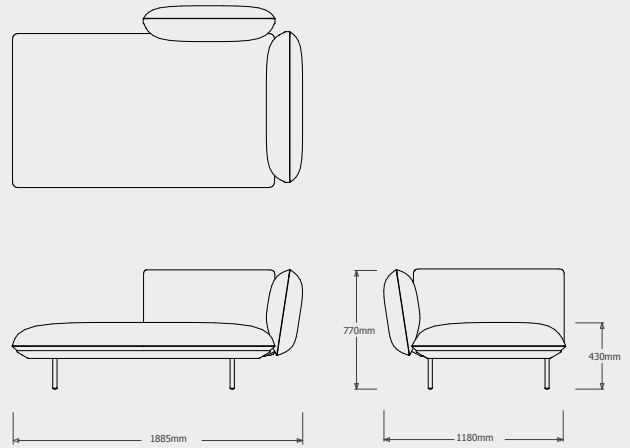
DEEP SEAT - MERIDIENNE LEFT ARM LOW
023302-X-Y



Cushion **C023302W** is recommended for optimal seating



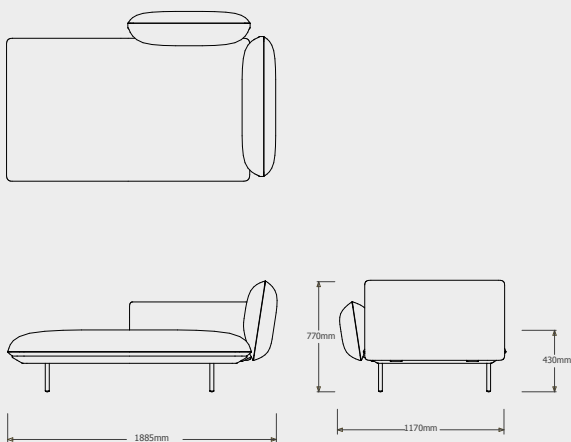
DEEP SEAT - MERIDIENNE RIGHT ARM HIGH
023401-X-Y



Cushion **C023401W** is recommended for optimal seating



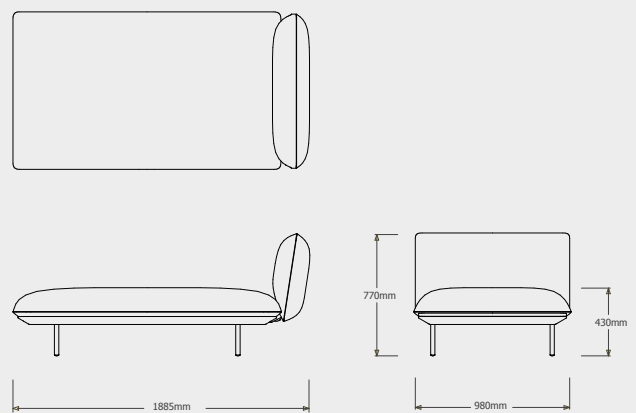
DEEP SEAT - MERIDIENNE RIGHT ARM LOW
023402-X-Y



Cushion **C023402W** is recommended for optimal seating



DEEP SEAT - MERIDIENNE DAYBED
023403-X-Y



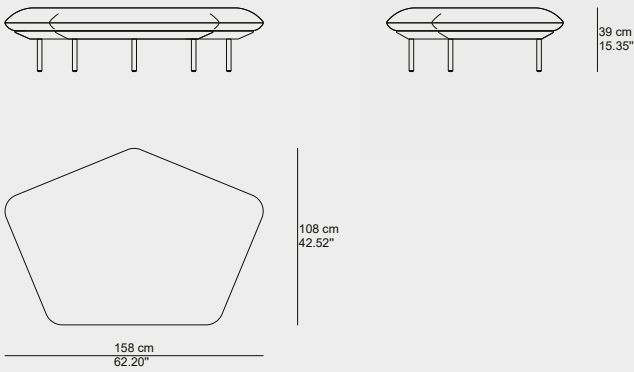
Cushion **C023403W** is recommended for optimal seating



TECHNICAL DRAWINGS

SENJA SOFA ORGANIC CORNER - TOTAL DEPTH 108CM/42,5"

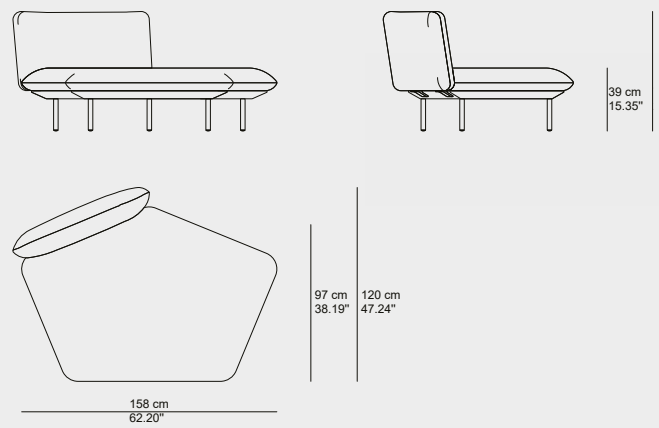
ORGANIC CORNER - POUF MODULE
023500-X-Y



Cushion **C023500W** is recommended for optimal seating



ORGANIC CORNER - SINGLE MODULE
023501-X-Y

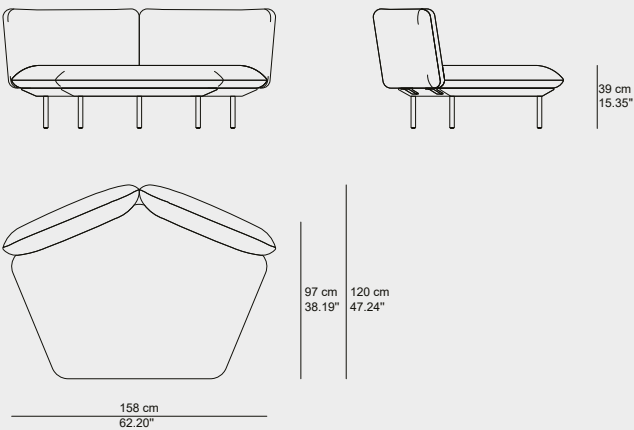


Cushion **C023501W** is recommended for optimal seating



023501-x-y SENJA SOFA organic corner single module

ORGANIC CORNER - DOUBLE MODULE
023502-X-Y

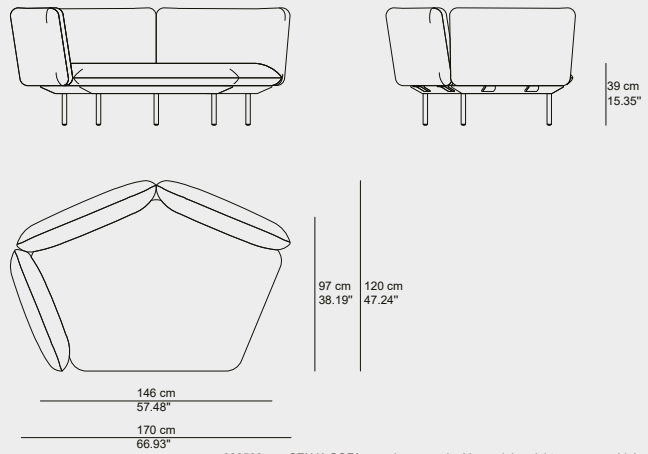


Cushion **C023502W** is recommended for optimal seating



023502-x-y SENJA SOFA organic corner double module

ORGANIC CORNER - RIGHT CORNER / ARM HIGH
023503-X-Y



Cushion **C023503W** is recommended for optimal seating

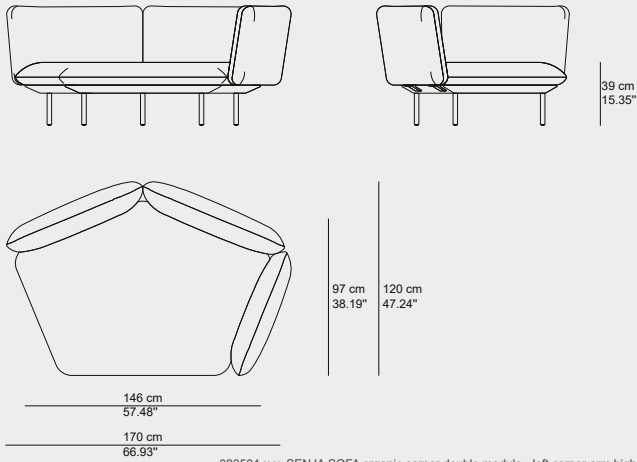


023503-x-y SENJA SOFA organic corner double module - right corner arm high

TECHNICAL DRAWINGS

SENJA SOFA ORGANIC CORNER - TOTAL DEPTH 108CM/42,5"

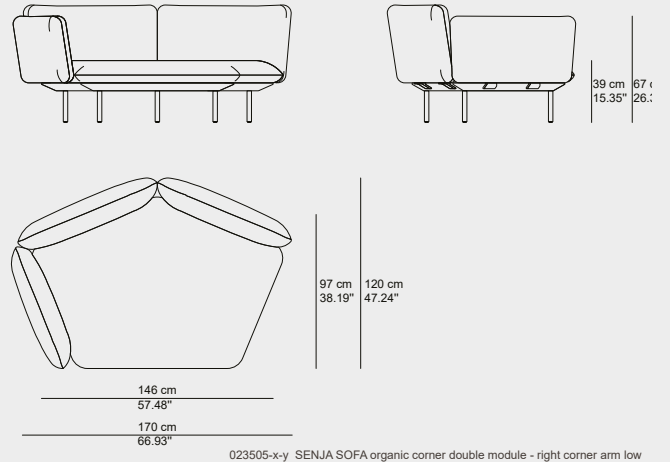
ORGANIC CORNER - LEFT CORNER / ARM HIGH
023504-X-Y



Cushion **C023504W** is recommended for optimal seating



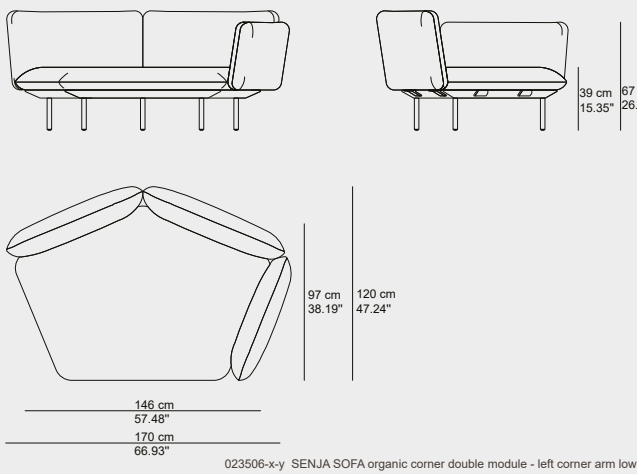
ORGANIC CORNER - RIGHT CORNER / ARM LOW
023505-X-Y



Cushion **C023505W** is recommended for optimal seating



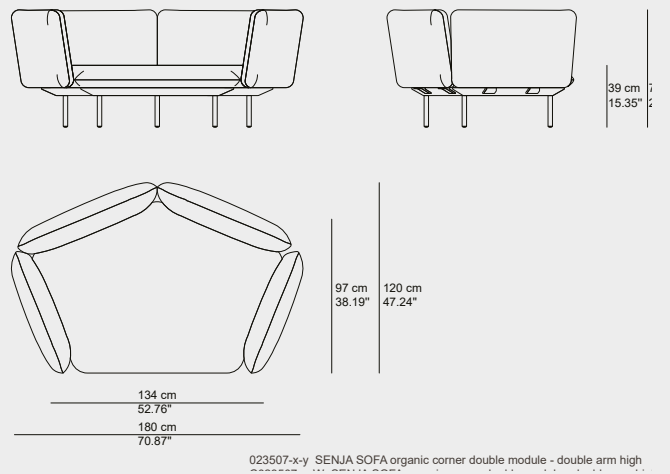
ORGANIC CORNER - LEFT CORNER / ARM HIGH
023506-X-Y



Cushion **C023506W** is recommended for optimal seating



ORGANIC CORNER - 2-ARM / ARM HIGH
023507-X-Y



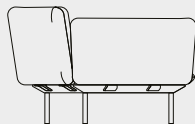
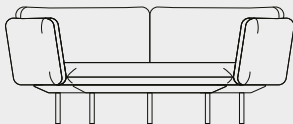
Cushion **C023507W** is recommended for optimal seating



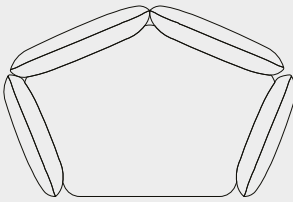
TECHNICAL DRAWINGS

SENJA SOFA ORGANIC CORNER - TOTAL DEPTH 108CM/42,5"

ORGANIC CORNER - 2-ARM / ARM LOW
023508-X-Y



39 cm 67 cm
15.35" 26.3"



97 cm 120 cm
38.19" 47.24"

134 cm
52.76"

180 cm
70.87"

023508-x-y SENJA SOFA organic corner double module - double s

Cushion **C023508W** is recommended for optimal seating



TRIBÙ

BE INSPIRED

Explore our collection of featured content, including images, videos, and social media assets, all available on our website. To access a wider variety of content, you'll encounter an extensive range of 2D and 3D files to enhance your creative projects.



PACKING LIST

ARTICLE NR.	ARTICLE NAME	BOX CONTENT	NR. OF BOXES	BOX DIMENSIONS (LXDXH)	VOLUME (M3 FT3)	GROSS WEIGHT BOX (KG LB)
02318-XX	SENJA ARMCHAIR	1	1	63x64x84cm 24.75x25.25x33"	0.3 10.6	12.6 27.8
02312-XX	SENJA LOUNGE CHAIR	1	1	80x72x78cm 31.5x28.25x30.75"	0.4 14.1	15.9 35.1
02340-XX	SENJA LOUNGER		1			
A2340-XX	SENJA LOUNGER FRAME	1		"210x81x30cm 82.75x32x11.75"	0.51 18.02	28.00 61.7
02341-XX	SENJA LOUNGER WITH TEAK TABLE TOP		3			
A2340-XX	SENJA LOUNGER FRAME	1	1	210x81x30cm 82.75x32x11.75"	0.51 18.02	28.00 61.7
W2340	TEAK TABLE	1	1	208x29x6cm 82x11.5x2.25"	0.04 1.28	7.30 16.1
A2341-XX	SUPPORTS SIDE TABLE	1	1	26x11x12cm 10.25x4.25x4.75"	0.00 0.12	1.00 2.2
SENJA SOFA						
FRAMES						
A2302S-X	1 SEATER REGULAR	1	1	84x73x8cm 33x28.75x3.25"	0.05 1.73	10.65 23.5
A2308S-X	2 SEATER REGULAR	1	1	167x73x8cm 65.75x28.75x3.25"	0.10 3.44	16.35 36.1
A2308D-X	2 SEATER DEEP	1	1	187x98x8cm 73.5x38.5x3.25"	0.15 5.18	19.10 42.1
A2309S-X	3 SEATER REGULAR	1	1	251x74x8cm 98.75x29.25x3.25"	0.15 5.25	22.60 49.8
A2309D-X	3 SEATER DEEP	1	1	251x98x8cm 98.75x38.5x3.25"	0.20 6.95	26.15 57.7
LEGS						
A2311-X	ALU LEGS SET OF 4	1	1	24x8x8cm 9.5x3.25x3.25"	0.00 0.05	1.30 2.9
W2311	TEAK LEGS SET OF 4	1	1	25x19x7cm 9.75x7.5x2.75"	0.00 0.12	0.75 1.7
TABLES + SUPPORT						
A2381-X	SIDE TABLE FRAME	1	1	25x18x18cm 9.75x7x7"	0.01 0.29	1.30 2.9
W2381	SIDE TABLE TEAK TOP	1	1	48x39x6cm 19x15.25x2.25"	0.01 0.40	2.40 5.3
S2381	SIDE TABLE GLAZED LAVA STONE TOP	1	1	46x37x4cm 18x14.5x1.5"	0.01 0.24	9.25 20.4
A2387-X	CONSOLE TABLE FRAME	1	1	148x76x9cm 58.25x30x3.5"	0.10 3.57	7.75 17.1
W2387	CONSOLE TABLE TEAK TOP	1	1	166x38x6cm 65.25x15x2.25"	0.04 1.34	8.95 19.7
S2387	CONSOLE TABLE GLAZED LAVA STONE TOP	1	1	166x37x5cm 65.25x14.5x2"	0.03 1.08	37.80 83.3

PACKING LIST

ARTICLE NR.	ARTICLE NAME	BOX CONTENT	NR. OF BOXES	BOX DIMENSIONS (LXDXH)	VOLUME (M3 FT3)	GROSS WEIGHT BOX (KG LB)
A2370-X	TABLE TOP SUPPORT	1	1	68x9x7cm 26.75x3.5x2.75"	0.00 0.15	1.60 3.5
W2370S	TABLE TOP TEAK REGULAR	1	1	89x77x6cm 35x30.25x2.25"	0.04 1.45	9.95 21.9
W2370D	TABLE TOP TEAK DEEP	1	1	102x89x6cm 40.25x35x2.25"	0.05 1.92	13.50 29.8
S2370S	TABLE TOP GLAZED LAVA STONE REGULAR	1	1	87x76x4cm 34.25x30x1.5"	0.03 0.93	38.85 85.7
S2370D	TABLE TOP GLAZED LAVA STONE DEEP	1	1	100x87x4cm 39.25x34.25x1.5"	0.03 1.23	50.60 111.6
ARMREST						
R2303-X	ARMREST REGULAR HIGH	1	1	59x42x9cm 23.25x16.5x3.5"	0.02 0.79	2.60 5.7
R2304-X	ARMREST REGULAR LOW	1	1	27x59x9cm 10.75x23.25x3.5"	0.01 0.51	2.35 5.2
R2305-X	ARMREST DEEP HIGH	1	1	"83x42x9cm 32.75x16.5x3.5""	0.03 1.11	3.15 6.9
R2306-X	ARMREST DEEP LOW	1	1	"83x28x9cm 32.75x11x3.5""	0.02 0.74	2.75 6.1
BACKREST						
R2301-X	BACKREST HIGH	1	1	70x42x9cm 27.5x16.5x3.5"	0.03 0.93	2.90 6.4
R2302-X	BACKREST LOW	1	1	70x27x9cm 27.5x10.75x3.5"	0.02 0.60	2.50 5.5
	SENJA SOFA CORNER MODULE					