

TRIBÙ

UKIYO

MONICA ARMANI



When visiting Japan, designer Monica Armani was fascinated by the signs and shapes of their classical architecture, from votive temples to everyday objects. Curved lines like brushstrokes, precise and ethereal at the same time, also incorporated into the Japanese writing system, were the inspiration for the new UKIYO collection.

“I was inspired by the signs and the sophisticated Japanese culture, especially their eye for detail which also describes my design aesthetic. I worked on the balance between curved and taut lines and the visual weight of each element that concludes this collection.” – Monica Armani

UKIYO is a warm and welcoming collection that remains etched into your memory, interpreting the exclusive and refined style of Tribù.



ARMCHAIR
07518



LOUNGE CHAIR
07512



ADJUSTABLE LOUNGER
07540



DINING TABLE
07553-XX



COFFEE TABLE
07586-XX



LOW TABLE
07588-XX

FABRICS & MATERIALS

MATERIALS

Frame:

Teak is a beautiful and long-lasting wood, which is stable and resistant to weather and water. The wood is high in natural oils, which leads to low moisture absorption and high stability. Additionally, the wood is resistant to fungi, parasites, and insects.

After 75 to 80 years, a tree has reached maturity. The trees have been ringed, eventually losing the majority of their sap and are felled and sawed up about two years later. Drying the wood is a critical step that determines how it will react later. Drying time and speed are determined by the thickness of the material to achieve the ideal moisture level between 8 and 12 percent.

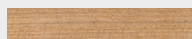
When it comes to quality, Tribù makes no concessions, using only carefully selected mature teak from three of the highest quality Indonesian plantations in Eastern Java, all of which meet the strictest environmental standards. Tribù Asia, a European-led organization, inspects local productions all year round.

Top:

Ceramic has been used for centuries for all kinds of purposes. With its unique characteristics it is the ideal material for outdoor table tops. Ceramic is UV-resistant, frost proof, extremely scratchproof and completely stain-repellent. The ceramic used by Tribù is coloured in the mass and guarantee years of carefree pleasure. The raw materials are selected very carefully by suppliers from Western and Southern Europe only. Every top is unique. For example, the Scisto colour may show subtle veins, but this is not the case for every top. The ceramic table tops are slightly bended so water can flow off.

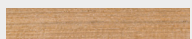
FRAME

T-Teak



TOP

T-Teak



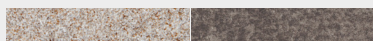
C10-Linen

C15-Sabbia



C80-Scisto

C89-Piombo



CUSHIONS

The filling has a cover in a laminated, water-repellent polypropylene material which prevents water from penetrating. The thread used to stitch the seams swells when getting wet, preventing water from penetrating through the seams. Moreover, the seams are protected on the inside with an extra covering. If nevertheless water should penetrate, the material is breathable, letting moisture out to prevent moulding. Fabrics available in category D, E & F.

Explore our materials and fabrics using our product configurator available on each product page of our website

HOW TO MAINTAIN YOUR FURNITURE

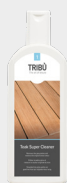
MAINTENANCE

Teak left in its natural state, is virtually maintenance-free. It can be left outside all year round, surviving even the most extreme weather conditions. New teak will experience natural oil surfacing that appears like a “watermark” or irregular pattern of discoloration. These areas are part of the natural maturing process and can be removed with gentle washing with Teak Super Cleaner.

Over time, untreated teak furniture which is exposed to sun and rain will turn silver grey. This process is cosmetic and does not harm the strength or quality of the wood.

To avoid the annual cleaning of the wood, you can apply Teak Sealer. Teak Sealer contains UV protection to slow down the graying from the sun as well as a fungicide to prevent the growth of mold and mildew. Teak Sealer can be applied to new teak or old teak furniture after it has been cleaned. We recommend using Teak Super Cleaner to clean soiled furniture. If Teak Sealer is applied every season, a simple cleaning with water and a pH neutral soap will do for years. Teak Sealer is a sealer and is not the same as varnish. It is breathable, letting the natural oils escape without bubbling or peeling like varnish.

Teak Protector protects the wood against stains and green deposit, without colouring the wood. We recommend to apply it after each cleaning.



TEAK SUPER CLEANER
D9914



TEAK PROTECTOR
D9912



TEAK SEALER
D9959

Ceramic is very easy to maintain with clear water and a pH-neutral soap. Stubborn stains can be removed with Ceramic & Lava Stone Cleaner. To protect the ceramic, Ceramic & Lava Stone Protector can be used. This applies a highly water and soiling repellent coating, which also makes the surface brighter, smoother and easier to clean.



CERAMIC & LAVA STONE CLEANER
D9938



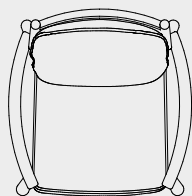
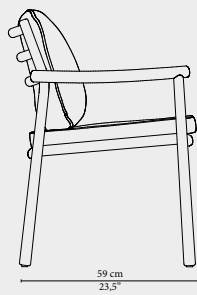
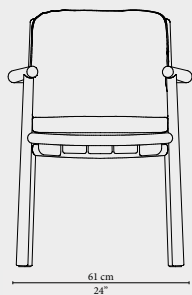
CERAMIC & LAVA STONE PROTECTOR
D9955

PROTECTION COVERS

For each item a cover is available that protects the furniture against dirt. These covers in grey colour are made of PU coated polyester which is water-repellent and UV-resistant. Thanks to their excellent breathable qualities the covers reduce condensation and heat build-up, helping to prevent the formation of mold and mildew. Nevertheless, they are not 100% waterproof. Always make sure that furniture, cushions and covers are completely dry before covering furniture.

TECHNICAL DRAWINGS

ARMCHAIR
07518

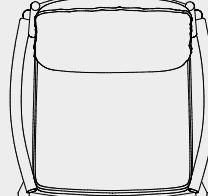
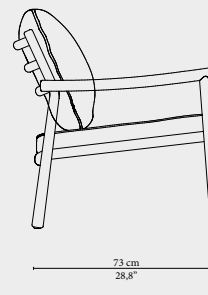
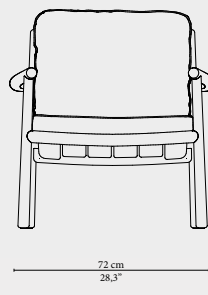


Seat & back cushion **C07518W** is recommended for optimal seating

4 pcs



LOUNGE CHAIR
07512

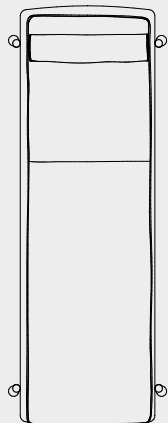
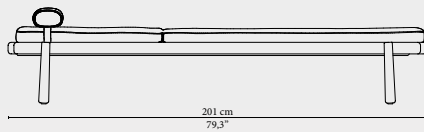
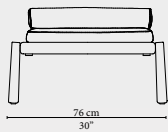


Back cushion **C07512BW** and seat cushion **C07512SW** are recommended for optimal seating

4 pcs



ADJUSTABLE LOUNGER
07540



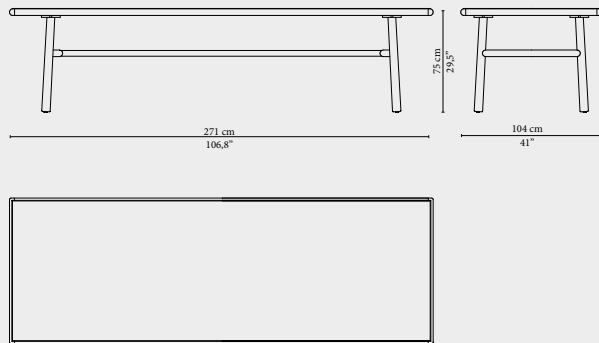
Cushion **C07540W** and head support cushion **C0005W** are recommended for optimal seating

4 pcs

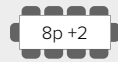
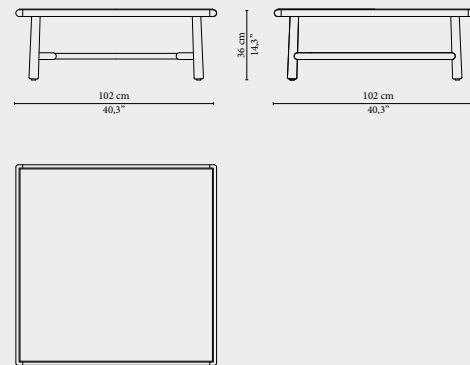


TECHNICAL DRAWINGS

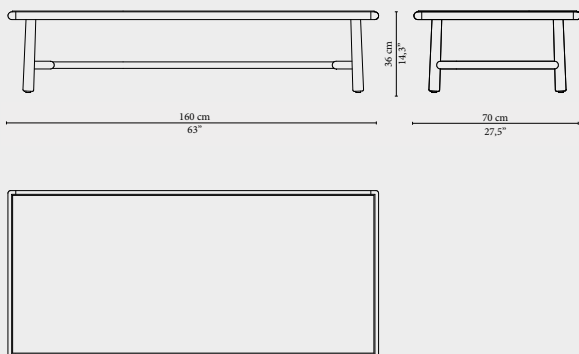
DINING TABLE
07553-XX



COFFEE TABLE
07586-XX



LOW TABLE
07588-XX



TRIBÙ

PACKING LIST

ARTICLE NR.	ARTICLE NAME	BOX CONTENT	NR. OF BOXES	BOX DIMENSIONS (LXDXH)	VOLUME (M3 FT3)	GROSS WEIGHT BOX (KG LB)
07518	ARMCHAIR	2	1	69x65x91cm 27.25x25.5x35.75"	0.4 14.1	10 22.1
07512	LOUNGE CHAIR	1	1	82x57x80cm 32.25x22.5x31.5"	0.4 14.1	12.5 27.6
07540	LOUNGER	1	1	210x79x41cm 82.75x31x16.25"	0.7 24.7	14.3 31.5
07553	DINING TABLE		2			
W7553	TEAK FRAME	1		274x108x20cm 107.75x42.5x7.75"	0.59 20.90	42.00 92.6
S2006-CX	CERAMIC TOP	1		275x108x8cm 108.25x42.5x3.25"	0.24 8.39	72.00 158.8
W5005	TEAK TOP	1		270x101x5cm 106.25x39.75x2"	0.14 4.82	34.00 75.0
07586	COFFEE TABLE		2			
W7586	TEAK FRAME	1		105x105x9cm 41.25x41.25x3.5"	0.10 3.50	12.00 26.5
S2007-CX	CERAMIC TOP	1		106x106x5cm 41.75x41.75x2"	0.06 1.98	27.00 59.5
W5002	TEAK TOP	1		102x102x6cm 40.25x40.25x2.25"	0.06 2.20	15.90 35.1
07588	LOW TABLE		2			
W7588	TEAK FRAME	1		167x78x11cm 65.75x30.75x4.25"	0.14 5.06	14.00 30.9
S7588-CX	CERAMIC TOP	1		170x80x6cm 67x31.5x2.25"	0.08 2.88	35.21 77.6
W7590	TEAK TOP	1		165x76x6cm 65x30x2.25"	0.08 2.66	17.00 37.5

TRIBÙ

BE INSPIRED

Explore our collection of featured content, including images, videos, and social media assets, all available on our website. To access a wider variety of content, you'll encounter an extensive range of 2D and 3D files to enhance your creative projects.

