

TRIBÙ

AMANU

YABU PUSHELBERG



The Amanu collection, created by Yabu Pushelberg, is a timeless and transitional collection with the emphasis on comfort and sustainability. The collection has a modern look and feel but blends effortlessly in a more classic interior as well. The inspiration behind the collection is the Amanu atoll in French-Polynesia. The collection is present, yet light. Floating, yet supported. Comfortable, yet sustainable. The dining and lounge chair uses intertwined Canax, elegantly woven around the supporting teak, giving the impression that it is floating on the light teak structure. We reached an incredible comfort in combination with the optimal use of wood. The dining table consists of reclaimed ceramic tiles floating on an elegant teak structure. It is engineered to look light while being incredibly sturdy, using all materials in the most optimal way.



ARMCHAIR
02618-10



DINING TABLE 290
02654-X



LOUNGE CHAIR
02612-10



DINING TABLE 350
02652-X

FABRICS & MATERIALS

MATERIALS

Frame: plantation teak from East-Java or high-pressure injected aluminium.

Seat & back: Canax® is a unique combination of natural hemp and synthetic fibres. Unbreakable polyester fibres give strength and stability. PVC makes the Canax® stain repellent and resistant to outside influences, fungi, frost and UV radiation. The hemp finally, gives the material a surprisingly matte look and a natural touch, almost like leather. Canax® is also a CO2 positive product. As hemp is a natural product, differences in colour and structure may appear, giving the furniture - together with the hand weaving - a unique craft appearance, which cannot be regarded as a fault.

Table top: Ceramic has been used for centuries for all kinds of purposes. With its unique characteristics it is the ideal material for outdoor table tops. Ceramic is UV-resistant, frost proof, extremely scratchproof and completely stain-repellent. The ceramic used by Tribù is coloured in the mass and guarantee years of carefree pleasure. The raw materials are selected very carefully by suppliers from Western and Southern Europe only. Every top is unique. For example, the Scisto colour may show subtle veins, but this is not the case for every top. The ceramic table tops are slightly bended so water can flow off.

FRAME

T-Teak



WEAVE

10-Linen

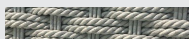


TABLE TOP

C15-Sabbia

C80-Scisto*



*This colour may possibly show delicate veins.



CUSHIONS

The filling has a cover in a laminated, water-repellent polypropylene material which prevents water from penetrating. The thread used to stitch the seams swells when getting wet, preventing water from penetrating through the seams. Moreover, the seams are protected on the inside with an extra covering. If nevertheless water should penetrate, the material is breathable, letting moisture out to prevent moulding. Fabrics available in category D, E & F.

Explore our materials and fabrics using our product configurator available on each product page of our website

HOW TO MAINTAIN YOUR FURNITURE

MAINTENANCE

Canax® Canax® requires hardly any maintenance and is easy to clean with clear water and a PH neutral soap. Stubborn stains and persistent green deposit can be removed with Synthetics Super Cleaner. Use a soft brush to clean between the weave. For extra protection we recommend Synthetics Protector which applies an invisible film and reduces the adhesion of dirt.



SYNTHETICS SUPER CLEANER
D9922



SYNTHETICS PROTECTOR
D9921

Treat new **teak** with teak protector 4 à 6 weeks after installation. Teak protector applies an invisible film that prevents stains and green deposit. Soiled teak can be cleaned with teak super cleaner. Leave the furniture to dry completely and then apply teak protector. To avoid labour-intensive cleaning, you can treat the wood with teak sealer. A simple cleaning with water and a ph-neutral soap will do for many years. Teak sealer contains UV protection to slow down the graying from the sun as well as a fungicide to prevent the growth of mold and mildew.



TEAK SUPER CLEANER
D9914



TEAK PROTECTOR
D9912



TEAK SEALER
D9959

Ceramic is very easy to maintain with clear water and a pH-neutral soap. Stubborn stains can be removed with Ceramic & Lava Stone Cleaner. To protect the ceramic, Ceramic & Lava Stone Protector (p. 187) can be used. This applies a highly water and soiling repellent coating, which also makes the surface brighter, smoother and easier to clean.



CERAMIC & LAVA STONE CLEANER
D9938



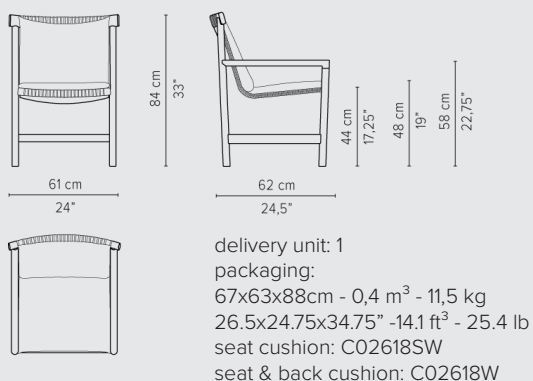
CERAMIC & LAVA STONE PROTECTOR
D9955

PROTECTION COVERS

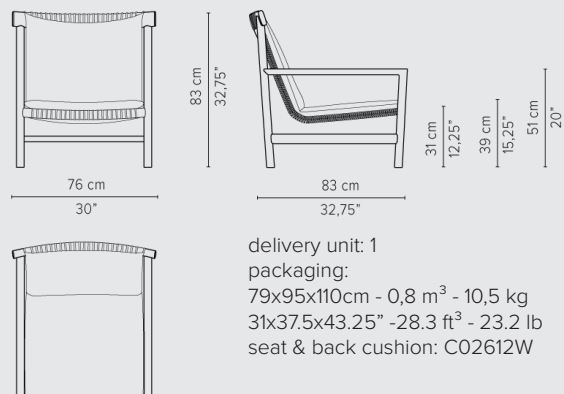
For each item a cover is available that protects the furniture against dirt. These covers in grey colour are made of PU coated polyester which is water-repellent and UV-resistant. Thanks to their excellent breathable qualities the covers reduce condensation and heat build-up, helping to prevent the formation of mold and mildew. Nevertheless, they are not 100% waterproof. Always make sure that furniture, cushions and covers are completely dry before covering furniture.

TECHNICAL DRAWINGS

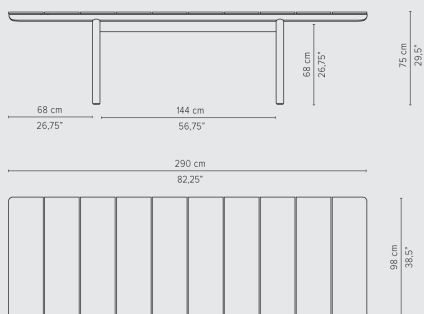
ARMCHAIR 02618-10



LOUNGE CHAIR 02612-10

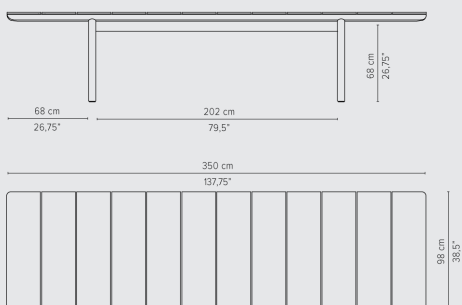


DINING TABLE 290 / 82.25" 02652-x



delivery unit: 3
packaging:
2x legs: 193x82x10cm - 0,16 m³ - 25,0 kg / 76x32.25x4" - 5.59 ft³ - 55.1 lb
1x teak frame: 296x100x10cm - 0,3 m³ - 52 kg / 116.5x39x25x4" - 10.45 ft³ - 114.7 lb
10x base tiles: 100x31x4cm - 0,01 m³ - 8 kg / 39.25x12.25x1.5" - 0.44 ft³ - 17.6 lb
2x corner tiles: 100x31x4cm - 0,01 m³ - 8 kg / 39.25x12.25x1.5" - 0.44 ft³ - 17.6 lb

DINING TABLE 350 / 137.75" 02654-x



delivery unit: 3
packaging:
2x legs: 193x82x10cm - 0,16 m³ - 25,0 kg / 76x32.25x4" - 5.59 ft³ - 55.1 lb
teak frame: 354x100x10cm - 0,35 m³ - 63 kg / 39.25x39.25x4" - 12.5 ft³ - 138.9 lb
10x base tiles: 100x31x4cm - 0,01 m³ - 8 kg / 39.25x12.25x1.5" - 0.44 ft³ - 17.6 lb
2x corner tiles: 100x31x4cm - 0,01 m³ - 8 kg / 39.25x12.25x1.5" - 0.44 ft³ - 17.6 lb

TRIBÙ

BE INSPIRED

Explore our collection of featured content, including images, videos, and social media assets, all available on our website. To access a wider variety of content, you'll encounter an extensive range of 2D and 3D files to enhance your creative projects.

