

# LUNA

YABU PUSHELBERG



Versatile contemporary design, uniting people with their environment, smart inaugural lighting, multi-purpose design  
As portable lanterns, Luna does what it's designed for, uniting people with their environment. Inspired after hosting a gathering with friends, founding partners of global design house Yabu Pushelberg, designed the inaugural lighting collection LUNA, a cordless lantern that unites people with nature.

## MATERIALS

- Handblown glass
- Powdercoated aluminium

## COLOURS

89-Powdercoated Aluminium

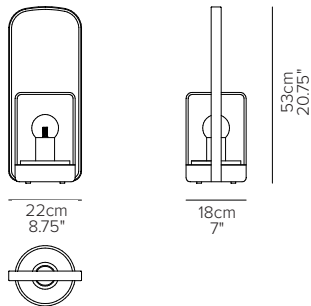


# LUNA

## TECHNICAL DRAWINGS

---

D09010-89



delivery unit: 1  
packaging:  
62cm x 31cm x 23cm – 0,04 m<sup>3</sup>  
24.5" x 12.25" x 9" - 1.4 ft<sup>3</sup>  
weight tbc

---

## MAINTENANCE

### **Powdercoated Aluminium**

Powdercoated aluminium is easy to clean with clear water and a pH-neutral fluid detergent. Stubborn stains can be removed with Aluminium Cleaner (p. 178). If necessary, use a soft brush to remove the dirt from the pores. To protect the frame against the adhesion of dirt, Aluminium Protector (p. 178) can be used which applies an invisible protective film.

## INFORMATION

Aluminium is a non-ferrous metal, which combines great mechanical rigidity with light weight. This makes it especially suitable for furniture. If treated correctly, it has a good resistance to corrosion. By powdercoating aluminium, this corrosion resistance can even be enhanced. After a chemical pre-treatment, an epoxy powder is applied statically and baked. Tribù always uses European, ultra-durable and scratch-resistant polyester powdercoatings that guarantee a UV-resistance of 15 years.

**Handmade glass** can be cleaned with soap and water.



D9952  
Aluminium  
Cleaner

---

\* Appearances, measurements and weights may slightly differ from reality.