

PAVILION DAYBED

MONICA ARMANI



DESCRIPTION

The classic canopied bed has been updated with a slimline powdercoated aluminium frame. The daybed can be personalised with a choice of sheer curtain fabrics and paint finishes, while the back and ceiling come in teak slats, aluminium slats or Sunscape (PVC-coated acrylic and polyester fibres). The roof in Sunscape can be moved to enjoy the sun to the fullest. The super-strong Batyline seat lining can be used alone or with 2 comfortable outdoor cushions and can be further customised with a detachable side table.

MATERIALS

- Frame: aluminium, powdercoated with durable polyester powdercoating
- Seat surface: Batyline®
- Roof options: aluminium slats, powdercoated with durable polyester powdercoating.
Indonesian plantation teak
movable Sunscape
- Back wall options: aluminium slats, powdercoated with durable polyester powdercoating.
Indonesian plantation teak
Sunscape
- Curtains (optional): Velum
- Floor anchors: maximum permissible wind speed

(Please read the paragraph about the Protection covers on page 6)

CUSHIONS

Filling in dryfoam which has an open cell structure, so air can circulate freely. Water passes through the filling, but dries quickly thanks to the large open pores, substantially inhibiting fungal growth. Fabrics available in category D, E & F.

COLOURS ALUMINIUM

00-White



89-Wengé



COLOURS SUNSCAPE

S54 Oyster



S64 Nature Grey



S70 Stone



COLOURS CURTAINS (optional)

V54 Oyster



V64 Nature Grey



V70 Stone

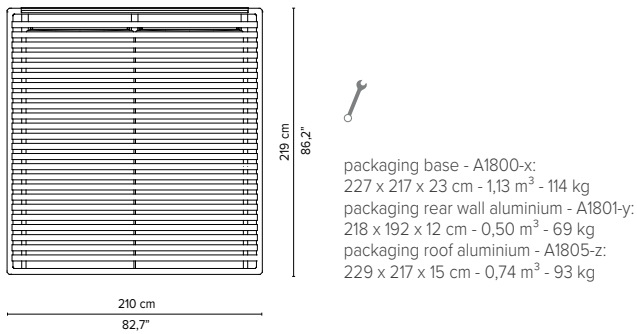


TRIBÙ

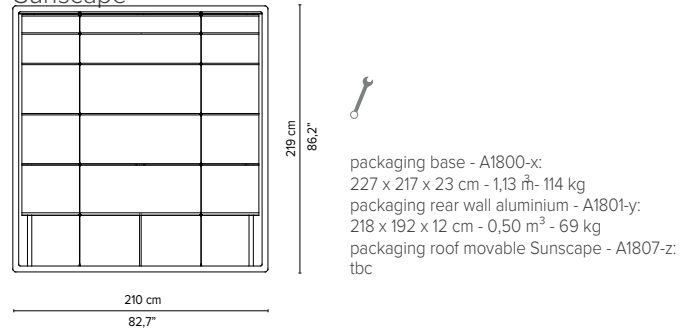
PAVILION DAYBED

TECHNICAL DRAWINGS

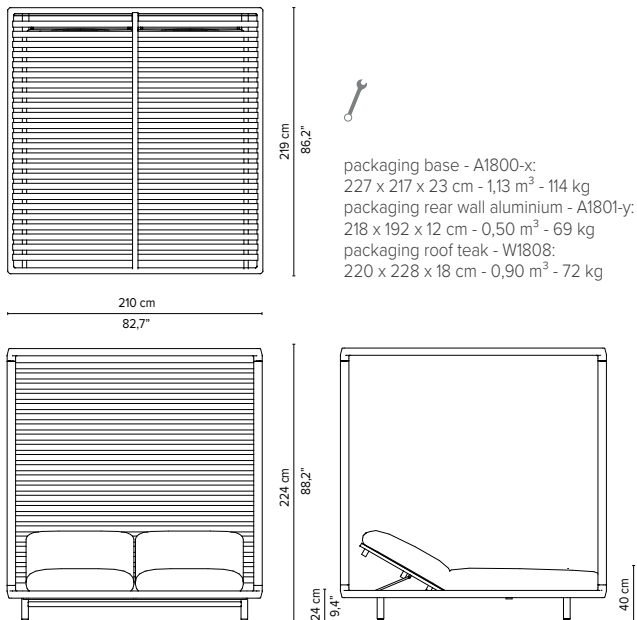
01811-x-y-z - Pavilion Daybed - Aluminium/Aluminium



01813-x-y-z - Pavilion Daybed - Aluminium/Movable
Sunscape



01814-x-y-z - Pavilion Daybed - Aluminium/Teak

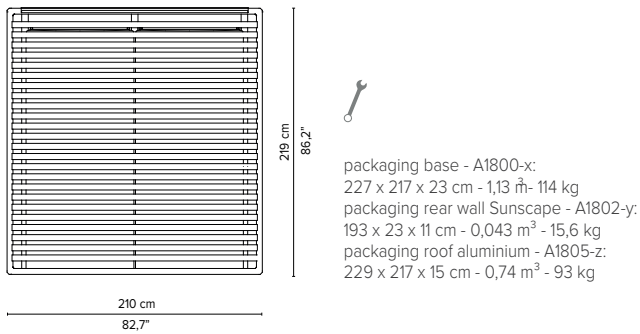


* Appearances, measurements and weights may slightly differ from reality.
x refers to frame, y refers to backwall, z refers to roof.

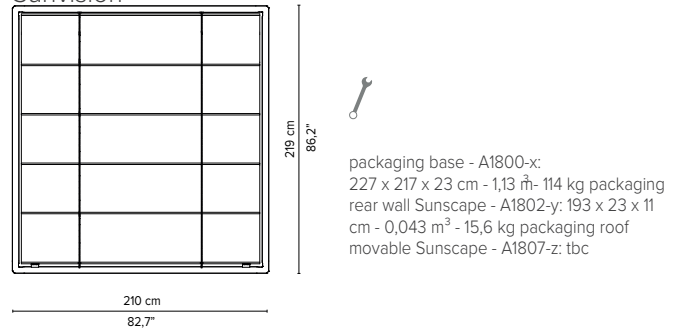
PAVILION DAYBED

TECHNICAL DRAWINGS

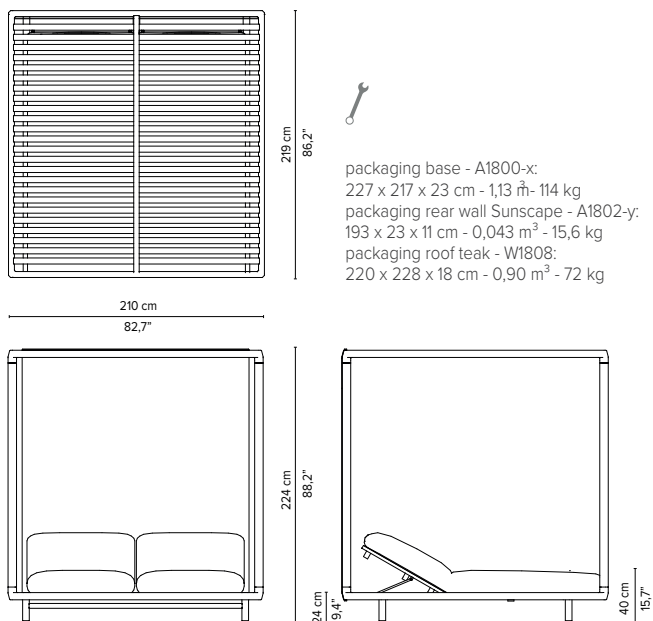
01821-x-y-z - Pavilion Daybed - Sunscape/Aluminium



01823-x-y-z - Pavilion Daybed - Sunscape/Movable Sunvision



01824-x-y-z - Pavilion Daybed - Sunscape/Teak

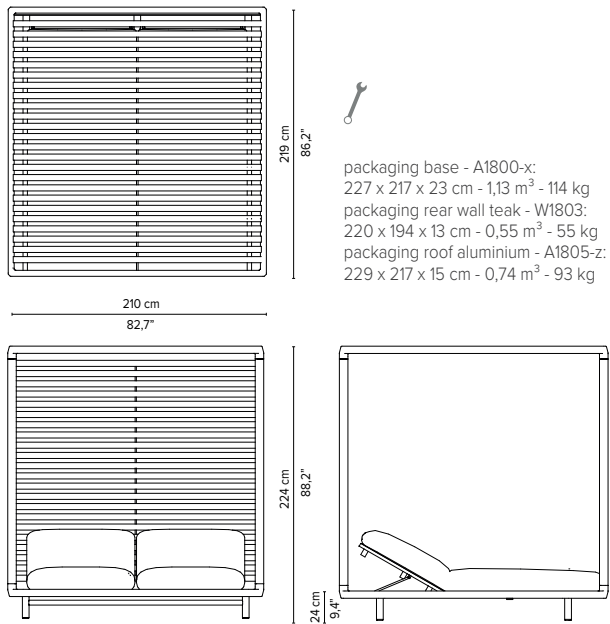


* Appearances, measurements and weights may slightly differ from reality.
x refers to frame, y refers to backwall, z refers to roof.

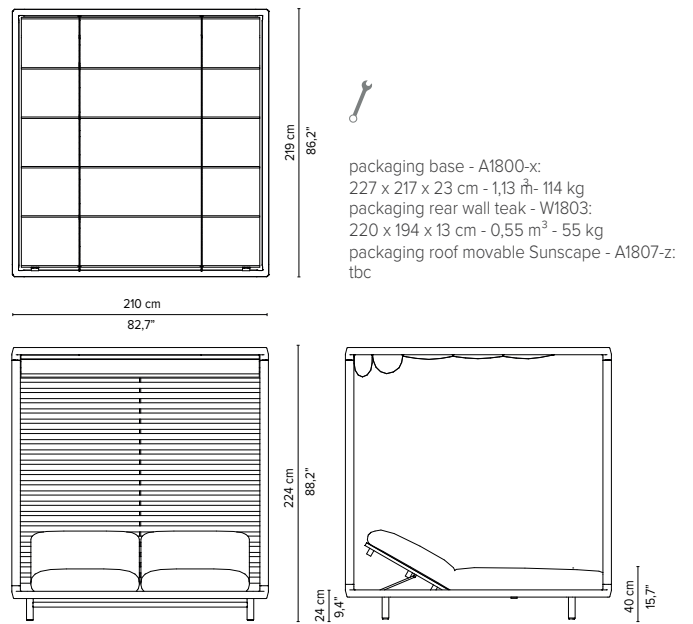
PAVILION DAYBED

TECHNICAL DRAWINGS

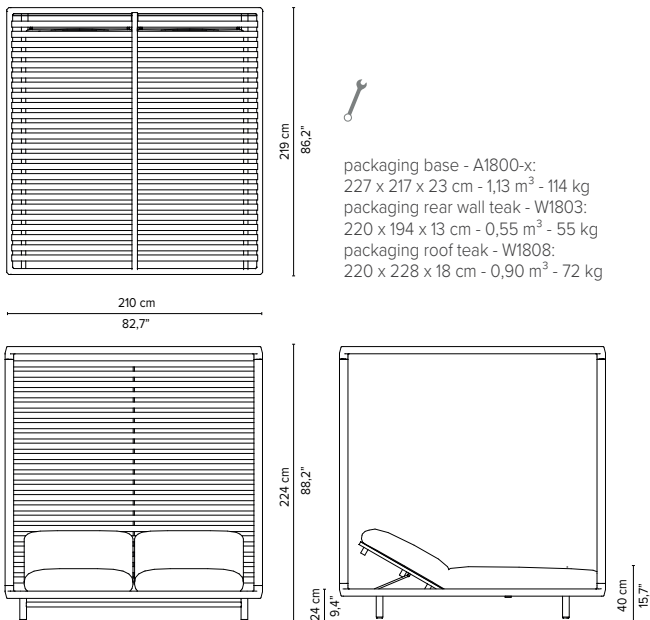
01831-x-y-z - Pavilion Daybed - Teak/Aluminium



01833-x-y-z - Pavilion Daybed - Teak/Movable Sunscape



01834-x-y-z - Pavilion Daybed - Teak/Teak

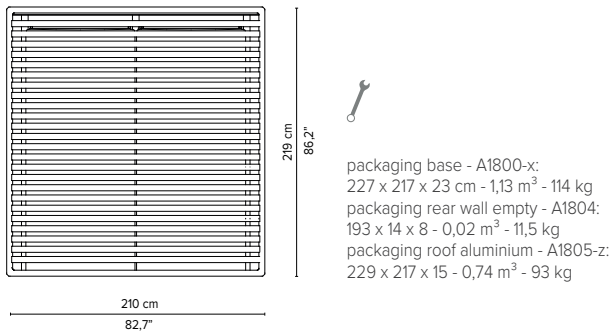


* Appearances, measurements and weights may slightly differ from reality.
x refers to frame, y refers to backwall, z refers to roof.

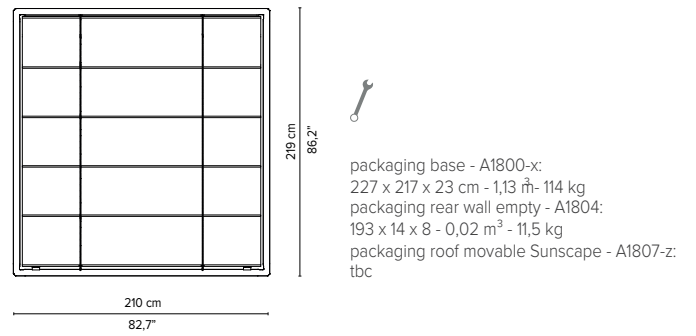
PAVILION DAYBED

TECHNICAL DRAWINGS

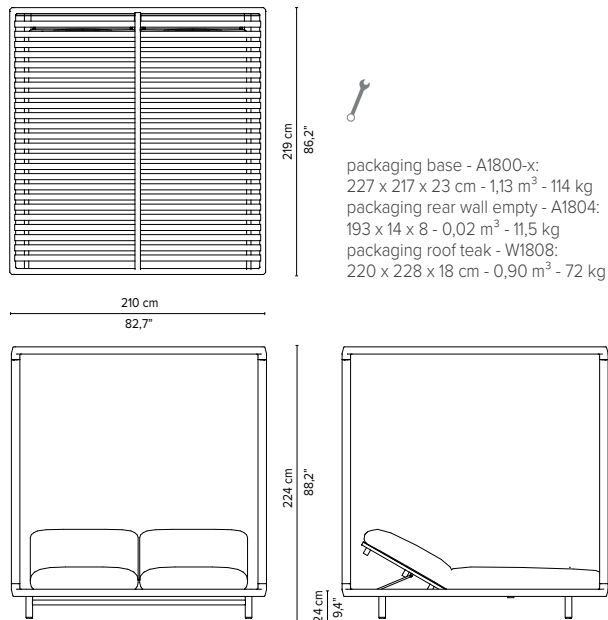
01841-x-y-z - Pavilion Daybed - Empty/Aluminium



01843-x-y-z - Pavilion Daybed - Empty/Movable Sunscape



01844-x-y-z - Pavilion Daybed - Empty/Teak



* Appearances, measurements and weights may slightly differ from reality.
x refers to frame, y refers to backwall, z refers to roof.

PAVILION DAYBED

MAXIMUM PERMISSIBLE WIND SPEED

For areas with wind speeds above 45 km/h we advise you to use the floor anchors delivered with the Pavilion daybed. If you expect wind speeds above 90 km/h we strongly advise to apply additional safety measures and anchor the Pavilion daybed with safety belts or even disassemble it. The stability and wind resistance of the Pavilion daybed will depend on the correct assembly of the Pavilion daybed and on the fixation system used to secure the floor anchor system (check your local hardware supplier). This information is for your guidance only. It is the sole responsibility of the end-user to anchor the Pavilion daybed according to the actual weather conditions.

Maximum wind speed *	STAND-ALONE	ANCHORED
Km/h	45 km/h	90 km/h
Knots	24,3 knots	48,6 knots
Beaufort	6 Beaufort	10 Beaufort
Mph	28 mph	56 mph

* Valid when fully assembled and tightened according to the Pavilion daybed Assembly Instructions.

PROTECTION COVERS

A cover is included in the price of the pavilion to protect the cushions against teak oil surfacing in case of a teak roof or back wall. This a natural process that cannot be prevented. The cover can also be ordered separately (D1800C). These covers in grey colour are made of PU coated polyester which is water-repellent and UV-resistant. Thanks to their excellent breathable qualities the covers reduce condensation and heat build-up, helping to prevent the formation of mold and mildew. Nevertheless, they are not 100% waterproof. Always make sure that the cushions and covers are completely dry before covering furniture.

MAINTENANCE

Frame

Clean the aluminium frame with tap water and a PH neutral soap. For stubborn stains, use Aluminium Cleaner. We advise to use Teflon® Protector twice a year which applies an invisible film and protects the aluminium against the adhesion of dirt.



D9952
Aluminium
Cleaner



D9930
Teflon® Protector
(spray that lays an invisible dirt-repellent film)

Teak roof or wall

Treat new teak with Teak Protector 4 à 6 weeks after installation. Teak Protector applies an invisible film that prevents stains and green deposit. Soiled teak can be cleaned with Teak Super Cleaner. Leave the furniture to dry completely and then apply Teak Protector. To avoid labour-intensive cleaning, you can treat the wood with Teak Sealer. A simple cleaning with water and a ph-neutral soap will do for many years. Teak Sealer contains UV protection to slow down the graying from the sun as well as a fungicide to prevent the growth of mold and mildew.



D9914
Teak Super
Cleaner



D9912
Teak Protector



D9959
Teak Sealer

Sunscape roof or wall

Sunvision can be cleaned with soap and water. For stubborn stains use Synthetics Super Cleaner. Apply with a soft brush on both sides. Leave to soak for a while and rinse well.



D9922
Synthetics
Super Cleaner

PAVILION DAYBED

PROJECT REFERENCES



Pettolecchia il Lido, Italy – Pavilion daybed in white with back wall and roof in teak, combined with Hexagon coffee tables



Four Seasons Ritz Lisbon, Portugal – Pavilion daybed in wengé with teak back wall and roof in movable Sunscape, combined with Ile side tables and a Mood daybed

TRIBÙ