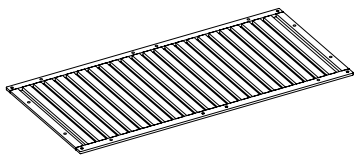


## ASSEMBLY INSTRUCTIONS

### VIS A VIS SOFA

01792	01738L	01728	01701B
01708	01704	01704S	01704B
01738R	01701R	01742	01706B
01703S	01706R	01781	01709B
01700	01709	01784	01738B
01706L	01703	01786	01796B
	01701L	01700B	01797B

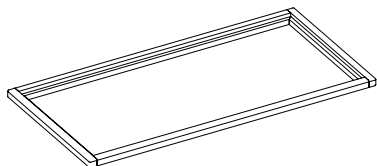
# COMPONENTS



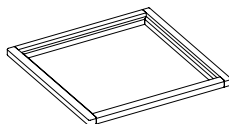
SEAT SUPPORT  
2 - seater



SEAT SUPPORT  
1 - seater



LARGE FRAME  
2 - seater



SMALL FRAME  
1 - seater



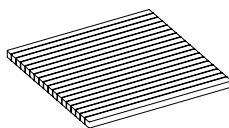
LARGE BORDER



SMALL BORDER



LEG



COFFEE TABLE TOP

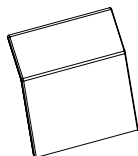


LARGE BACK- / ARMREST

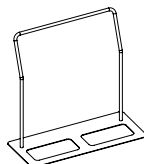


SMALL BACK- / ARMREST

The elements below are optional:



HIGH BACKREST COVER

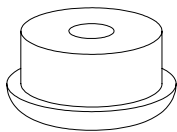


HIGH BACKREST FRAME

To connect the legs to the frame use these 3 components:



CUSTOM BOLT



GLIDER

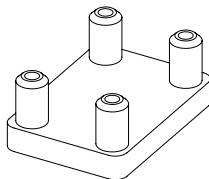


SPRING WASHER

To connect frames to each other use these 2 components:



WOODSCREW



CONNECTOR

To connect a backrest to a frame use these 2 components:

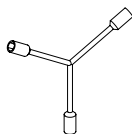


WASHER



FLATHEAD SCREW

To secure all components together these tools are provided:



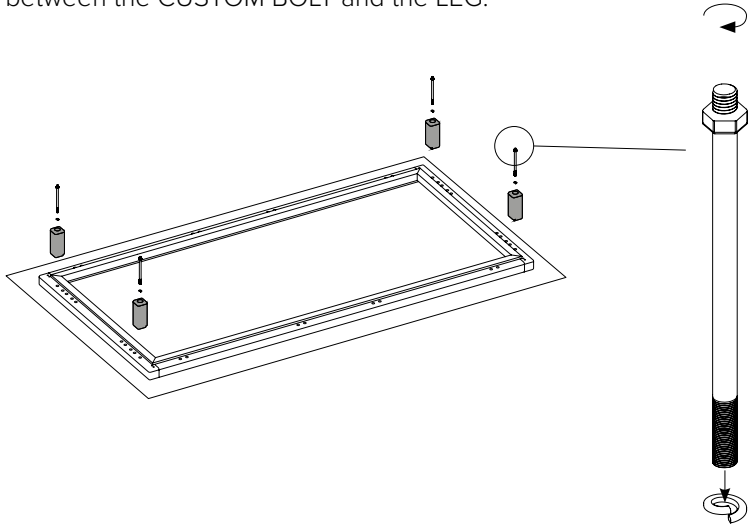
Y - KEY



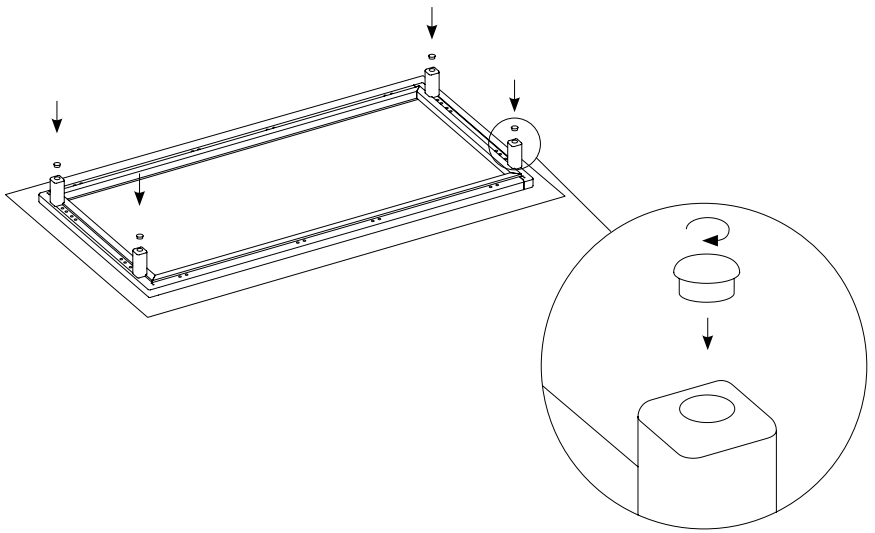
ALLEN KEY

# ASSEMBLY INSTRUCTIONS

1 Put the FRAME upside down on a protective cover. Secure the LEGS to the FRAME using 1 CUSTOM BOLT and 1 SPRING WASHER per LEG, to secure them use the Y-KEY. Make sure the SPRING WASHER is placed between the CUSTOM BOLT and the LEG.

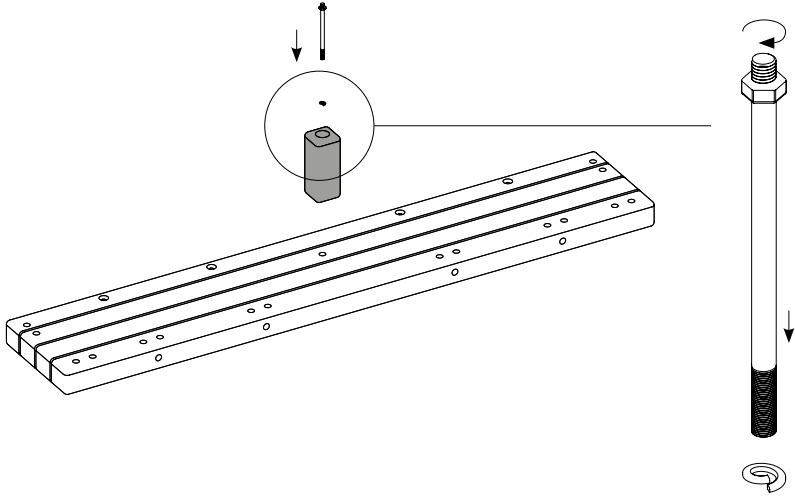


2 Attach the GLIDERS to the bottom side of the LEGS by turning them clockwise.

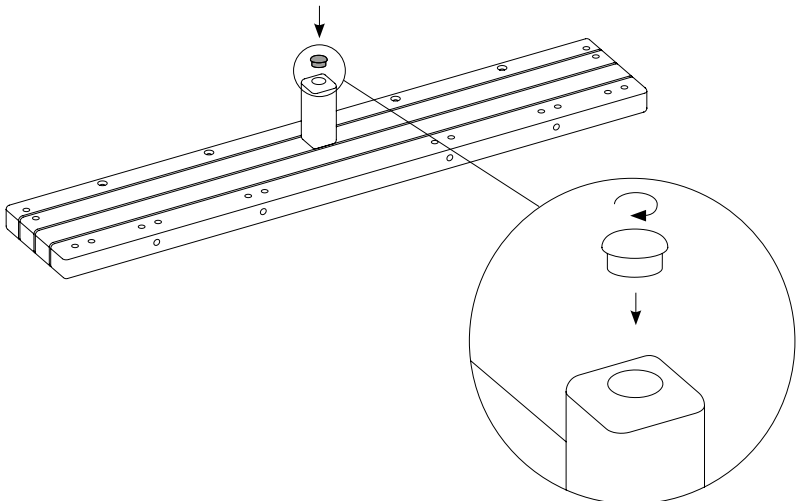


**3**

Put the BORDER upside down on a protective cover. Secure the LEGS to the BORDER using 1 CUSTOM BOLT and 1 SPRING WASHER per LEG, to secure them use the Y-KEY. Make sure the SPRING WASHER is placed between the CUSTOM BOLT and the LEG.

**4**

Attach the GLIDERS to the bottom side of the LEGS by turning them clockwise.

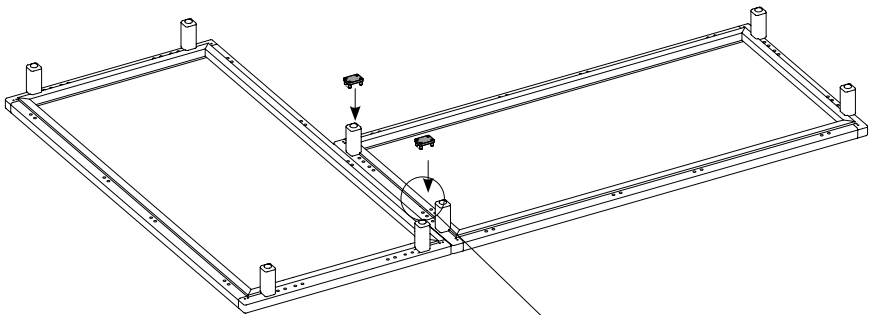


5

If you have a single/double module without BORDERS and no connection to another module proceed to step 11.

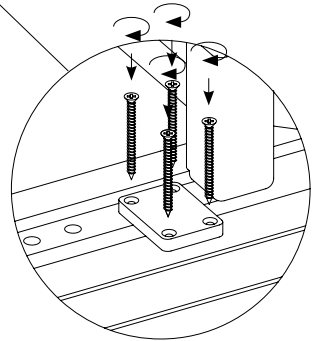
6

Put the FRAMES upside down in the correct composition. Use a rubber hammer to attach the CONNECTORS to the FRAME. Use 2 CONNECTORS per connection.



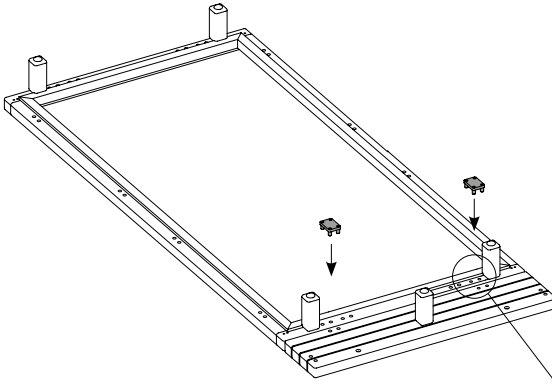
7

To secure the FRAMES together use 4 WOODSCREWS per CONNECTOR. Tighten the WOODSCREWS with a phillips screwdriver by turning them clockwise.

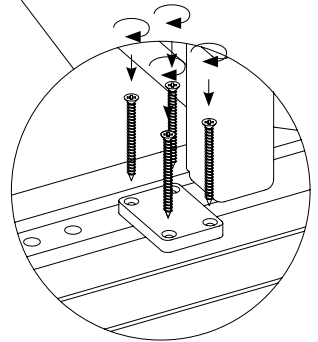


**8**

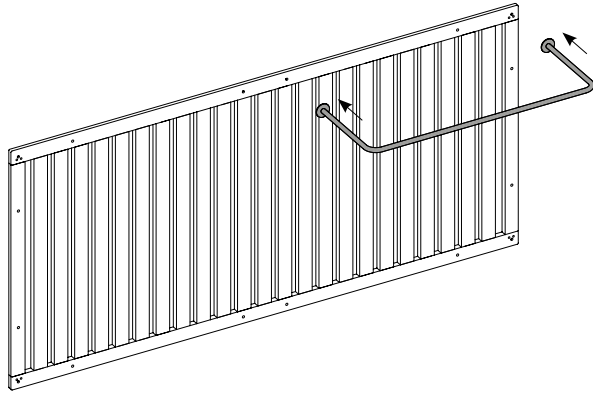
Put the FRAME and BORDERS upside down in the correct composition. Use a rubber hammer to attach the CONNECTORS to the FRAME/BORDER. Use 2 CONNECTORS per connection.

**9**

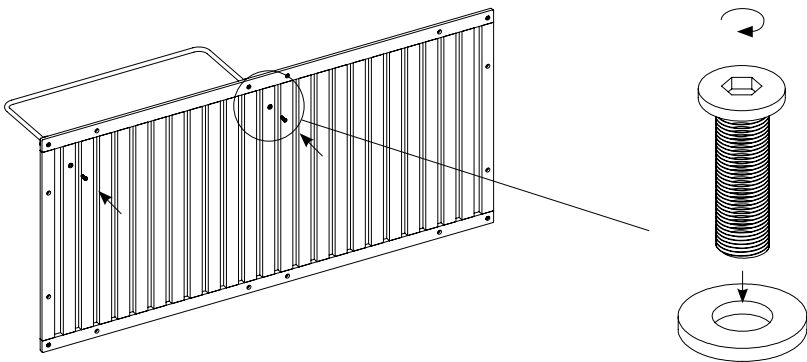
To secure the FRAME and BORDERS together use 4 WOODSCREWS per CONNECTOR. Tighten the WOODSCREWS with a phillips screwdriver by turning them clockwise.



- 10** Put the SEAT SUPPORT on its side and slide the BACK- / ARMREST into the designated holes on the desired position.

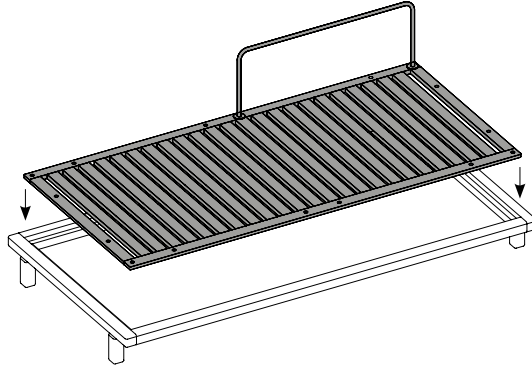


- 11** To secure the BACK- / ARMREST to the SEAT SUPPORT use 2 FLATHEAD SCREWS and 2 WASHERS per BACK- / ARMREST. Put the WASHER in between the FLATHEAD SCREW and the SEAT SUPPORT. Turn the FLATHEAD SCREWS with the ALLEN KEY clockwise to tighten them.



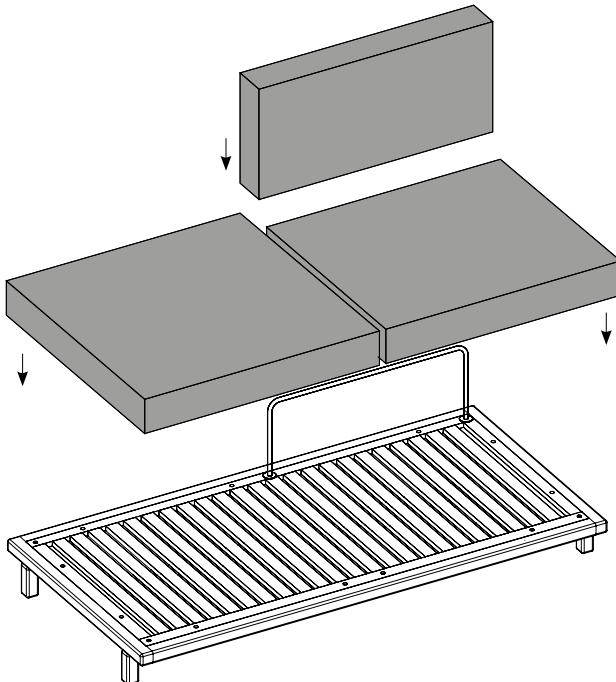


- 12** Place the assembled SEAT SUPPORTS into the designated FRAME.

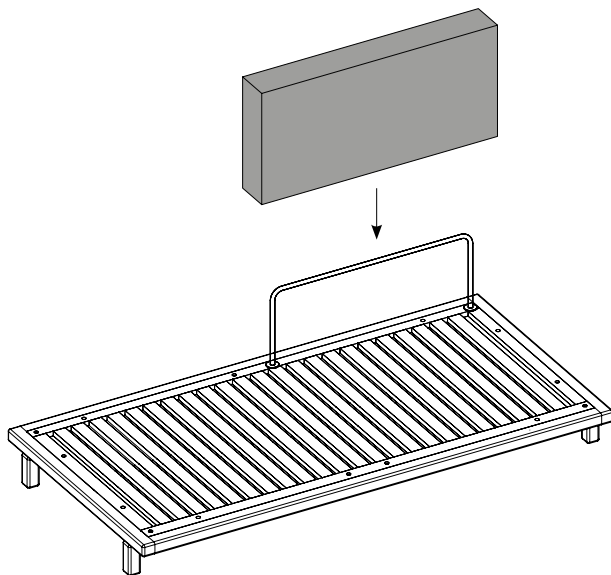


- 13** If a high backrest cushion is also included in your set, skip to step 15. If not, go to step 14.

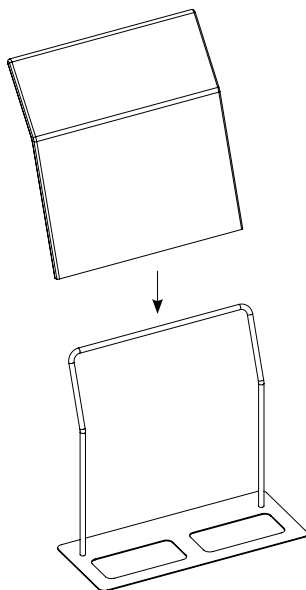
- 14** Slide the pillows over the BACK- / ARMRESTS and put the pillows on top of the SEAT SUPPORT. When sliding the cushions over the BACK- / ARMRESTS make sure the side with the most cushioning is facing the sofa.



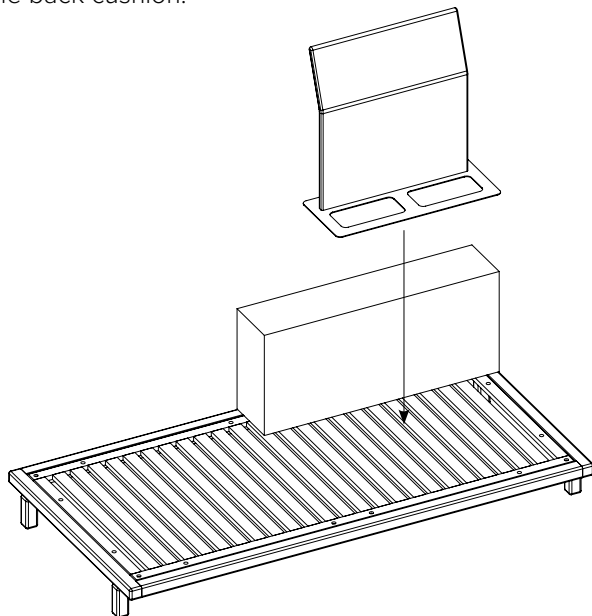
- 15** Slide the pillow over the BACK- / ARMRESTS. When sliding the cushions over the BACK- / ARMRESTS make sure the side with the most cushioning is facing the sofa.



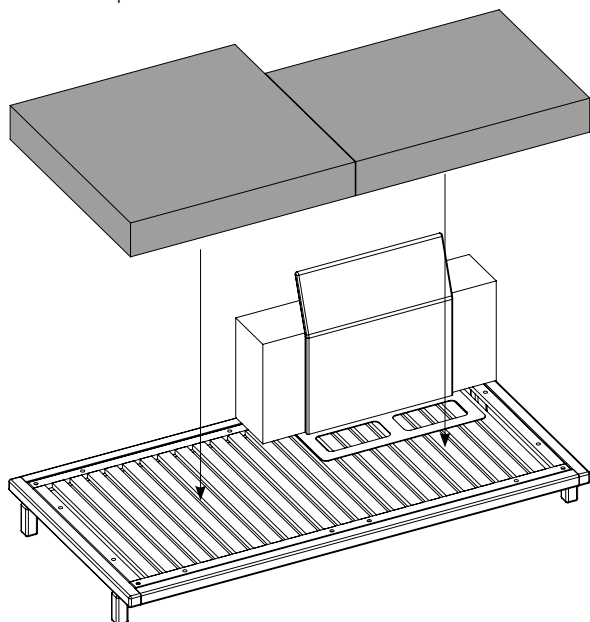
- 16** Then slide the cover over the high backrest frame.



- 17** The high backrest frame can then be placed on the frame of the sofa against the back cushion.

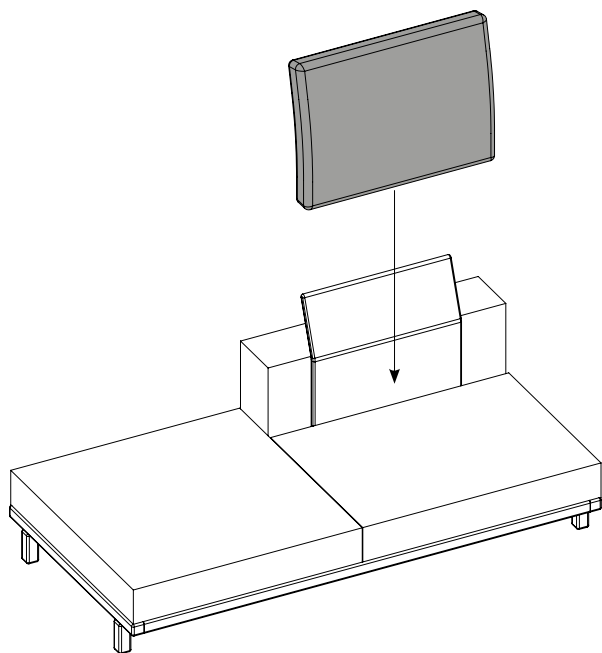


- 18** Now the seat cushions can be placed on the seat support to keep the high back cushion frame in place.



19

Eventually the high back cushion can be placed against that frame.



Tribù nv  
Oude Heidestraat 72  
3740 Bilzen  
BELGIUM

[www.tribu.com](http://www.tribu.com)  
[info@tribu.com](mailto:info@tribu.com)