

**ASSEMBLY INSTRUCTIONS**

**UKIYO COFFEE TABLE**

07588-xx

07586-xx

**TRIBÙ**

# COMPONENTS

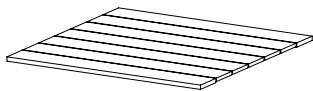


TABLE TOP for 102x102  
teak

**OR**

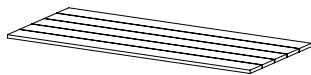


TABLE TOP for 164x72  
teak



TABLE TOP for 102x102  
ceramic

**OR**

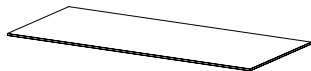


TABLE TOP for 164x72  
ceramic

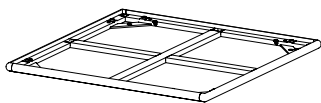


TABLE TOP FRAME  
for 102x102

**OR**

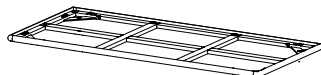
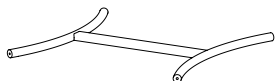


TABLE TOP FRAME  
for 164x72



I-FRAME for 102x102

**OR**



I-FRAME for 164x72

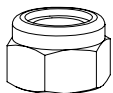


LEG



LEG

Hardware:



SEAL NUT



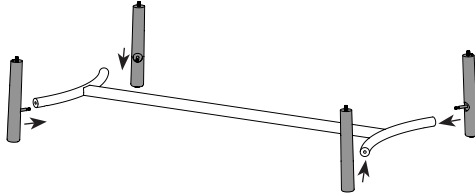
HEADLESS SCREW



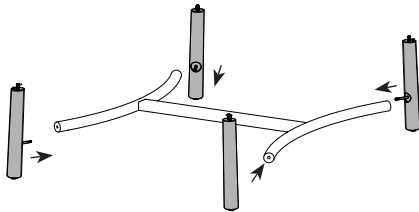
WOODSCREW

# ASSEMBLY INSTRUCTIONS

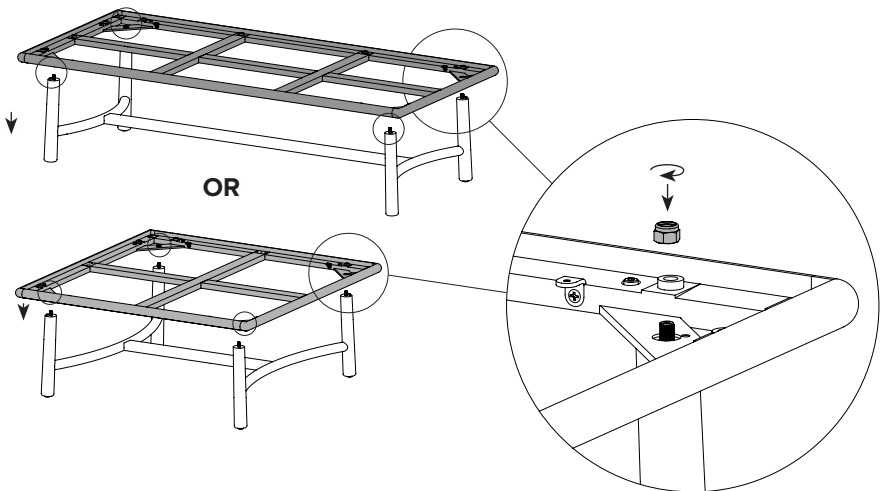
- 1** Fit the legs onto the I-frame. Match the letter on the **legs** with the letter on the **I-frame**. **A - A, B - B, C - C, D - D**



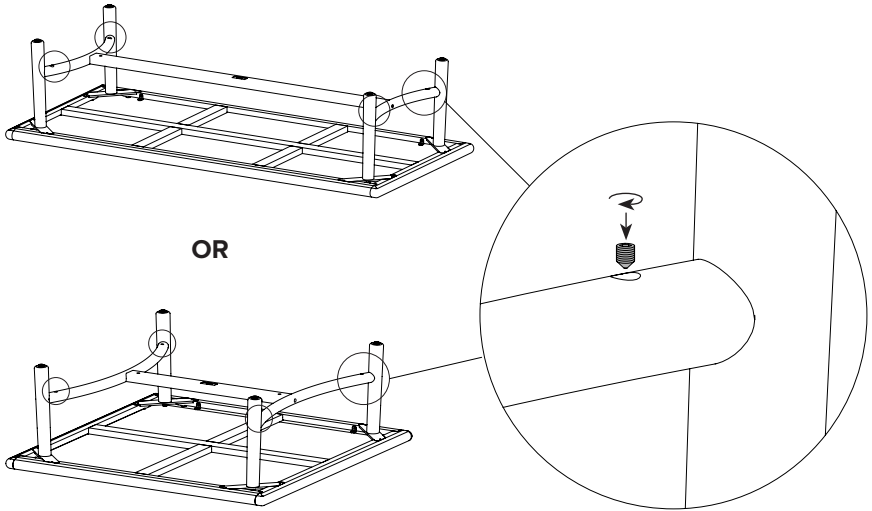
OR



- 2** Place the table top frame on top of the legs. Secure the **table top frame** to the **legs** using the **seal nuts**. Turn the seal nut clockwise to tighten it.



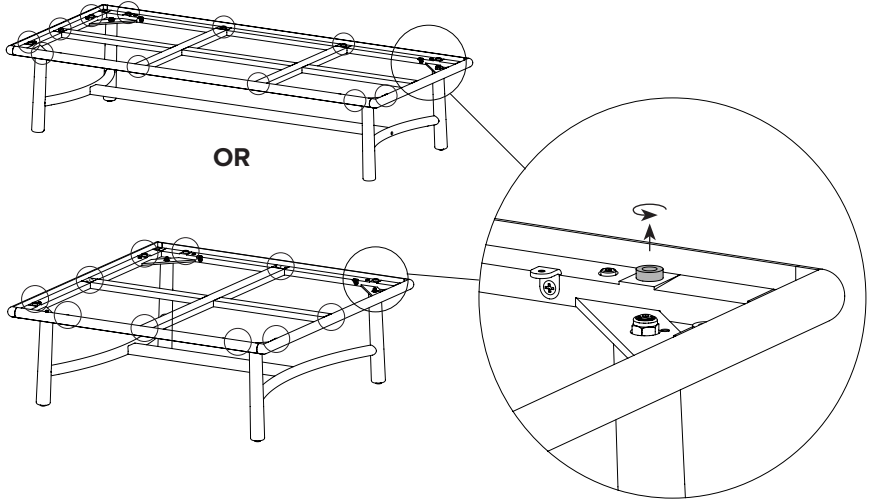
- 3** To secure the legs to the **I-frame** use the **headless screws**. Turn the headless screw clockwise to tighten.



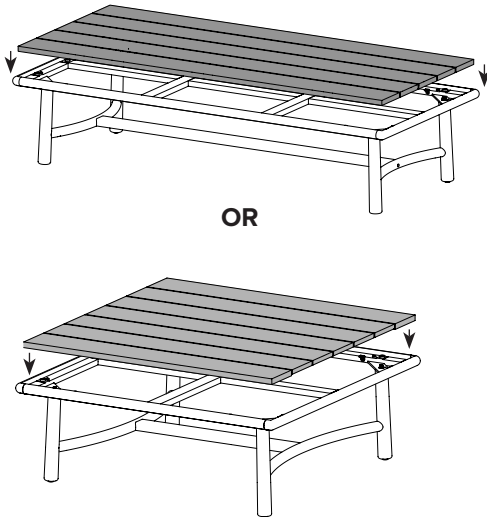
- 4** If you want to assemble a **teak table top** move forward to step **5**  
If you want to assemble a **ceramic table top** move forward to step **8**

## Assembly teak table top

- 5** Remove all bumpons by turning the woodscrews counterclockwise.

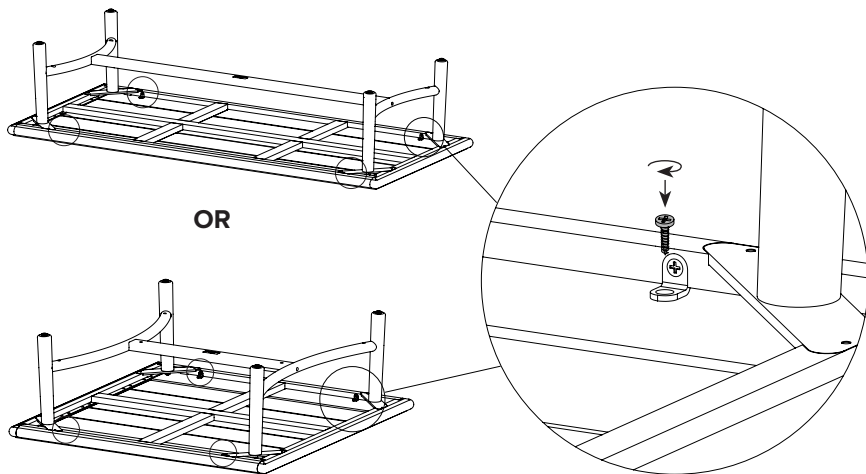


- 6** Place the **teak table top** in the frame.



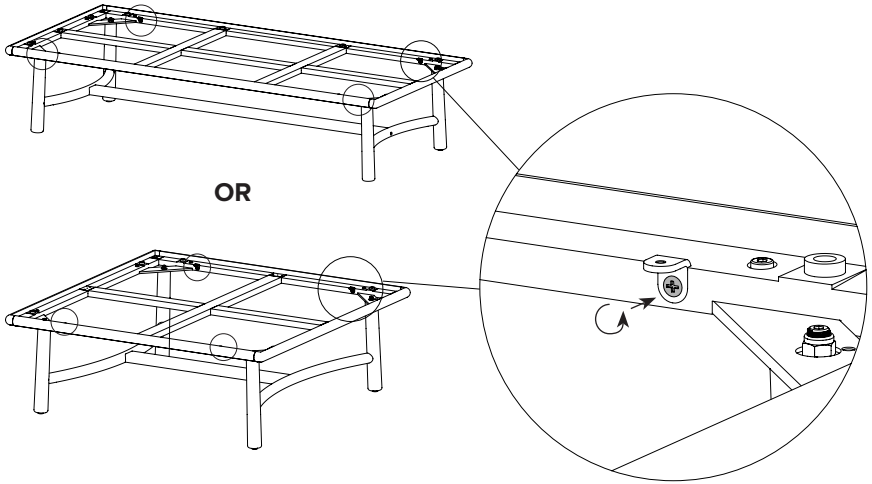
**7**

Secure the **teak table top** to the frame using the **wood screws**.  
Tighten the woodscrews clockwise.

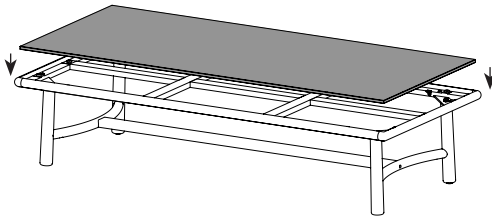


## Assembly ceramic table top

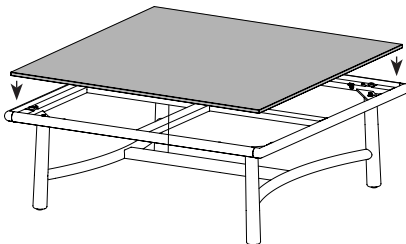
- 8** Remove all metal Brackets by turning the woodscrews counterclockwise.



- 9** Place the **ceramic table top** in the frame.



OR



Tribù nv  
Oude Heidestraat 72  
3740 Bilzen  
BELGIUM

[www.tribu.com](http://www.tribu.com)  
[info@tribu.com](mailto:info@tribu.com)