

ASSEMBLY INSTRUCTIONS

UKIYO DINING TABLE

07553-xx

TRIBÙ

COMPONENTS



TABLE TOP
teak



TABLE TOP
ceramic

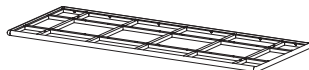


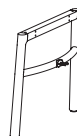
TABLE TOP FRAME



OVAL BEAM



2x RECTANGULAR BEAM



2x LEG

Hardware:



SHORT
SCREW



LONG
SCREW



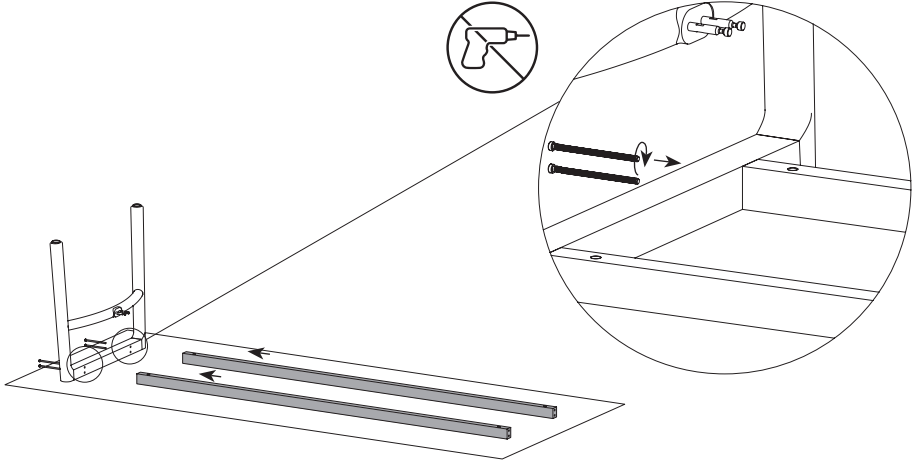
HEADLESS SCREW
already preassembled



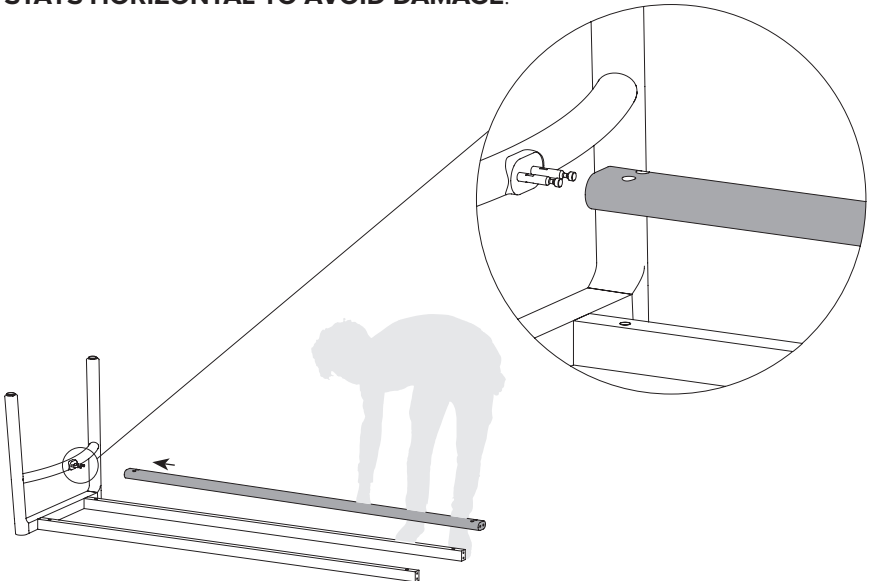
WOODSCREW

ASSEMBLY INSTRUCTIONS

- 1** Fit the **1x leg** onto the **rectangular beams**. Match the letter on the **legs** with the letter on the **rectangular beams**. **A - A, B - B**. Use **2x long screws** for each **rectangular beam** to secure it to the **leg**.

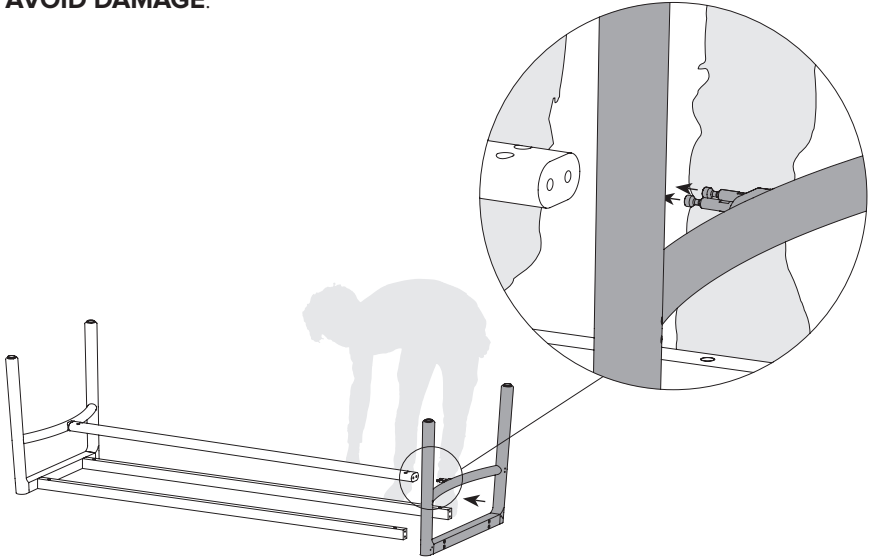


- 2** Slide the **oval beam** onto the metal studs of the **legs**. Make sure the holes in the **oval beam** face upwards. **ALWAYS MAKE SURE THE OVAL BEAM STAYS HORIZONTAL TO AVOID DAMAGE.**

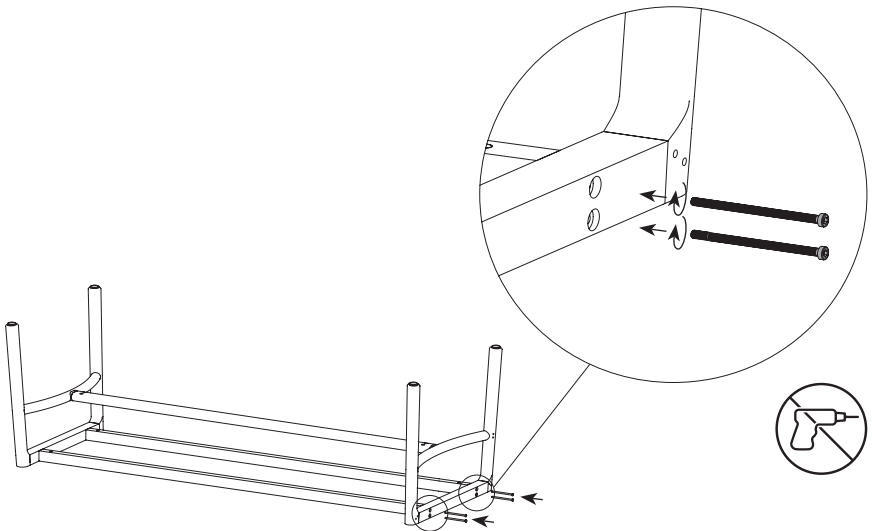


3

Slide the the metal studs of the **legs** into the designated holes on the **oval beam**. **ALWAYS MAKE SURE THE OVAL BEAM STAYS HORIZONTAL TO AVOID DAMAGE.**

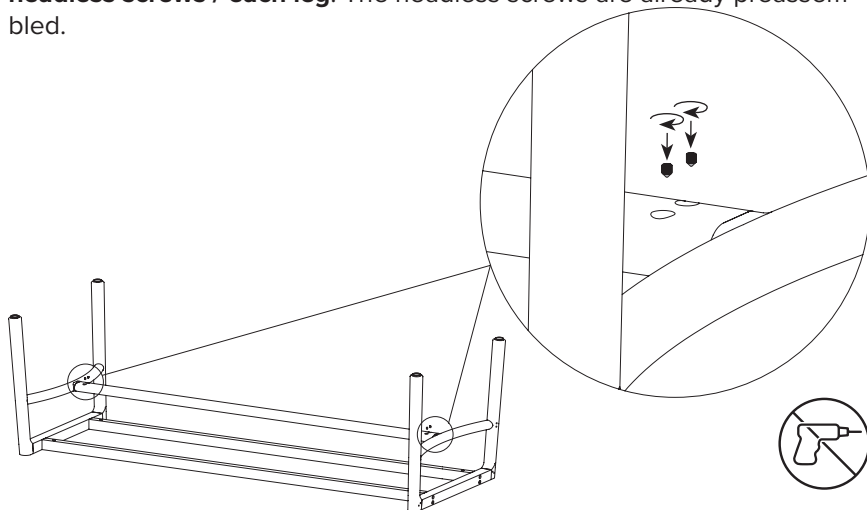
**4**

Use **2x long screws** for each **rectangular beam** to secure it to the **leg**.



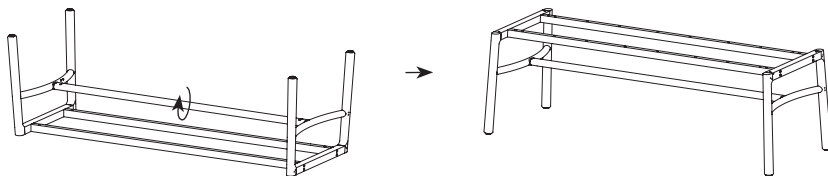
5

Secure the **oval beam** to the legs by tightening the **headless screw, 2x headless screws / each leg**. The headless screws are already preassembled.

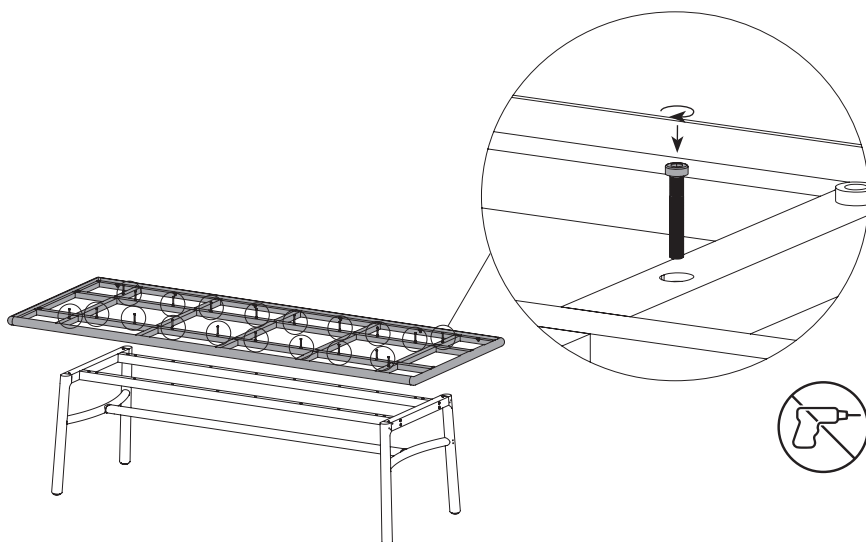


6

Flip the assembled legs into an upright position.



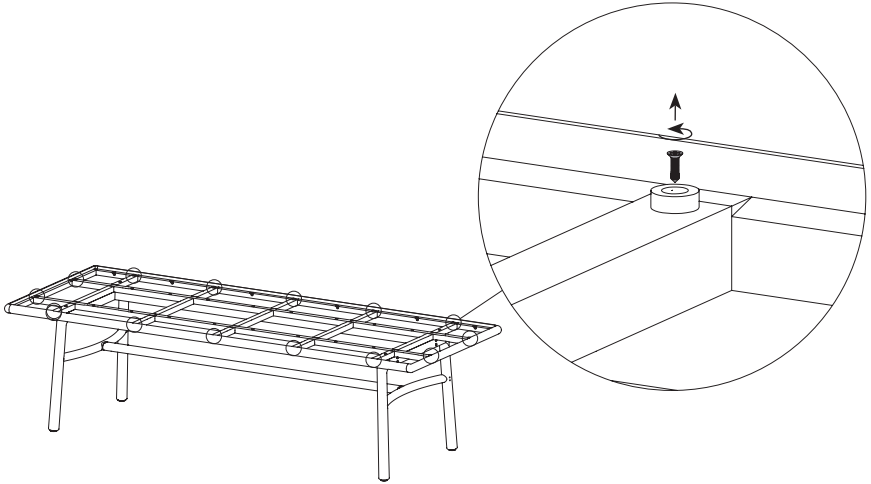
- 7** Lower the **frame** onto the already assembled legs. Secure the **frame** to the assembled legs using **short screw**.



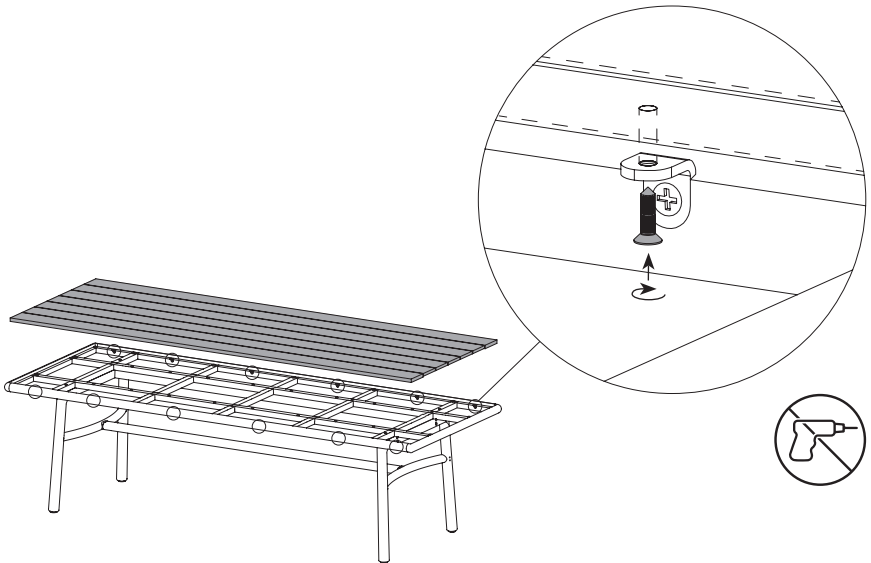
- 8** If you want to assemble a **teak table top** move forward to step **9**
If you want to assemble a **ceramic table top** move forward to step **11**

Assembly teak table top

- 9** Remove all bumpons by turning the woodscrews counterclockwise.

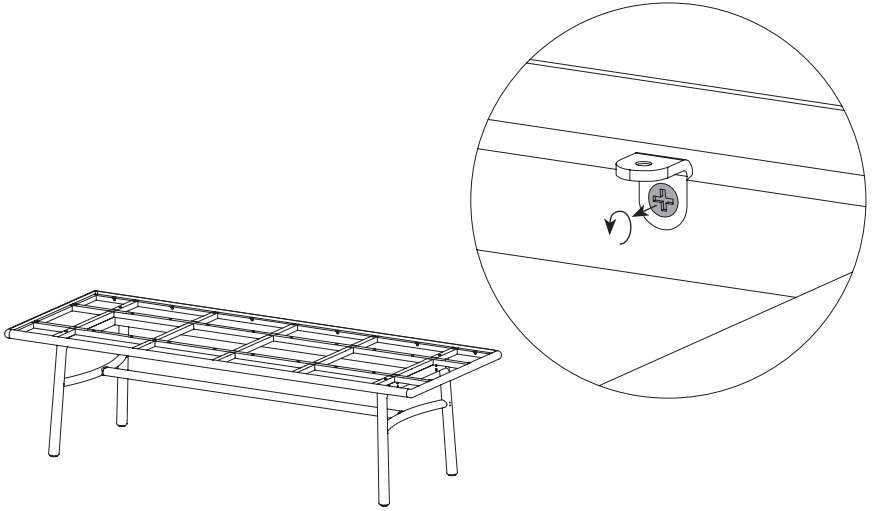


- 10** Lower the **teak table top** in the **frame**. Secure the **teak table top** to the frame using **wood screws**. Tighten the **woodscrews** clockwise.

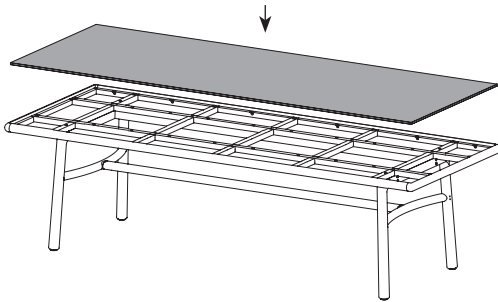


Assembly ceramic table top

- 11** Remove all metal brackets by turning the woodscrews counterclockwise.



- 12** Lower the **ceramic table top** into the **frame**. Make sure the gap between the **ceramic table top** and the **frame** is equal all around



Tribù nv
Oude Heidestraat 72
3740 Bilzen
BELGIUM

www.tribu.com
info@tribu.com