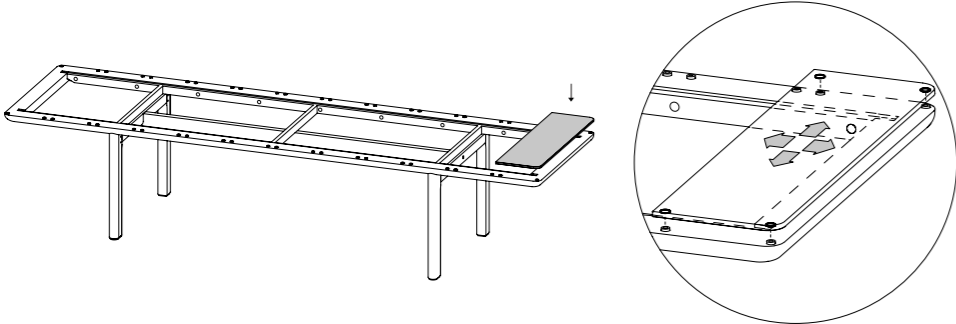
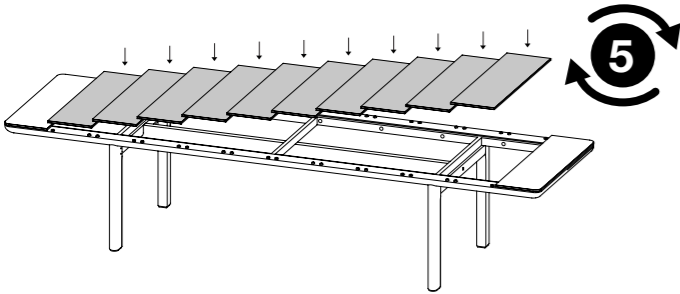


**5** Place a tile on the table, make sure the hole in the tiles align with the bumpon on the table. If these align the movement of the tile should be limited.



**6** Repeat step 5 for all the other tiles.



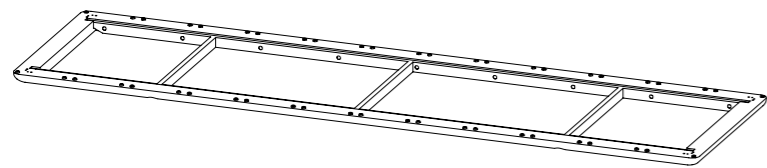
ASSEMBLY INSTRUCTIONS

AMANU TABLE  
02652-x, 02654-x

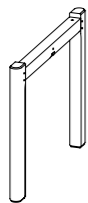
Tribù nv  
Oude Heidestraat 72  
3740 Bilzen  
BELGIUM  
  
www.tribu.com  
info@tribu.com



## CONTENT



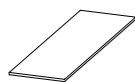
1x  
Table top 352x98 or 293x98



2 x  
Legs



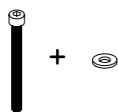
1 x  
Beam



8 x or 10x  
Rectangular tile



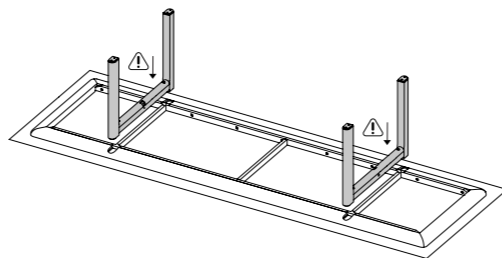
2x  
Head end tile



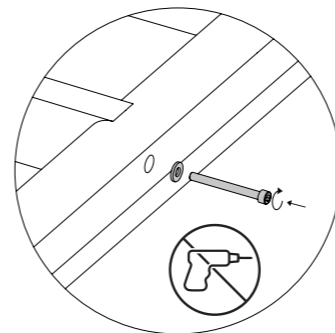
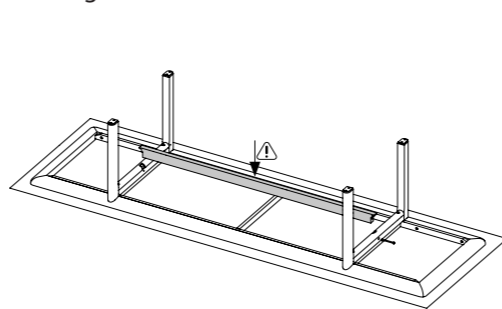
6 x  
Flathead screw + washer

## ASSEMBLY INSTRUCTIONS

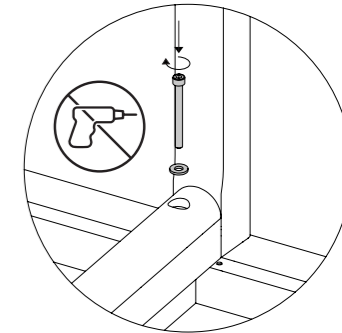
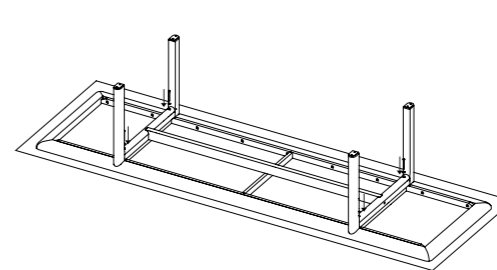
- 1** Put the frame upside down inside its own packaging. Insert the legs into the frames with caution.



- 2** Lower the beam into the designated holes of the legs with caution. Use 2x flathead screw + 2x washer to secure the beam to the legs. 1x flatheadscrew + 1x washer for each leg. DON'T USE AN ELECTRIC POWERTOOL.



- 3** Use 4x flathead screw + 4x washer to secure the legs to the table top. 2x flatheadscrew + 2x washer for each leg. DON'T USE AN ELECTRIC POWERTOOL.



- 4** Flip the table into it's upright position. Make sure the legs don't touch the floor when turning it upside down.

