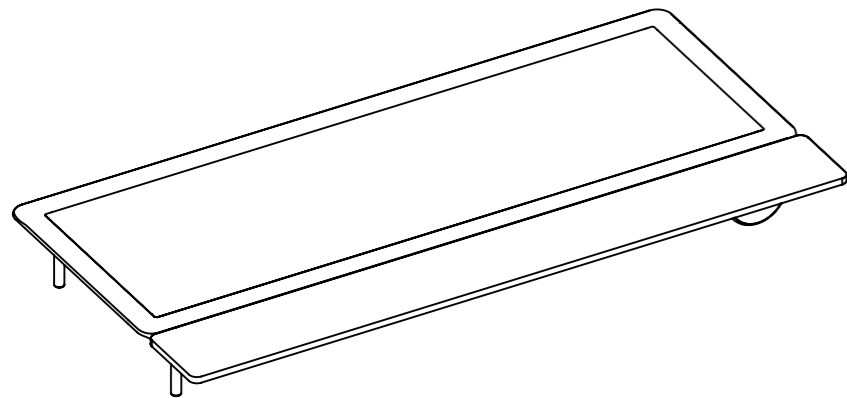


2

Carefully turn the lounger upside down



SELO01 - 29-10-2020

ASSEMBLY INSTRUCTIONS

SENJA LOUNGER

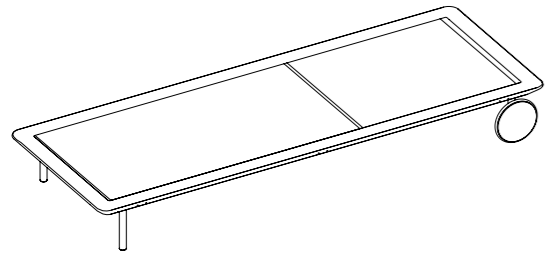
02340-x 02341-x

Tribù nv
Oude Heidestraat 72
3740 Bilzen
BELGIUM

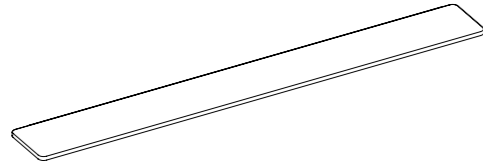
www.tribu.com
info@tribu.com

TRIBÙ
The art of leisure

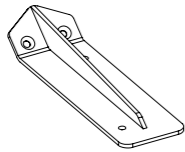
CONTENT



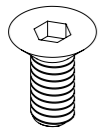
1 x
Lounger



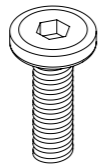
1 x
teak table top



1 x
connector



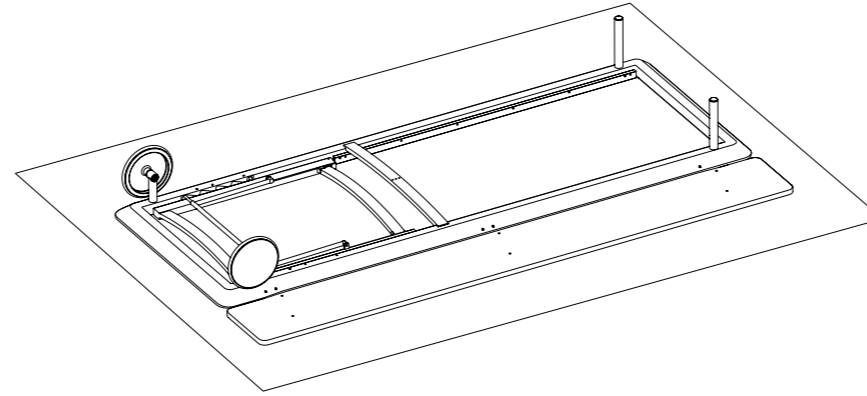
6 x
Countersunk screw



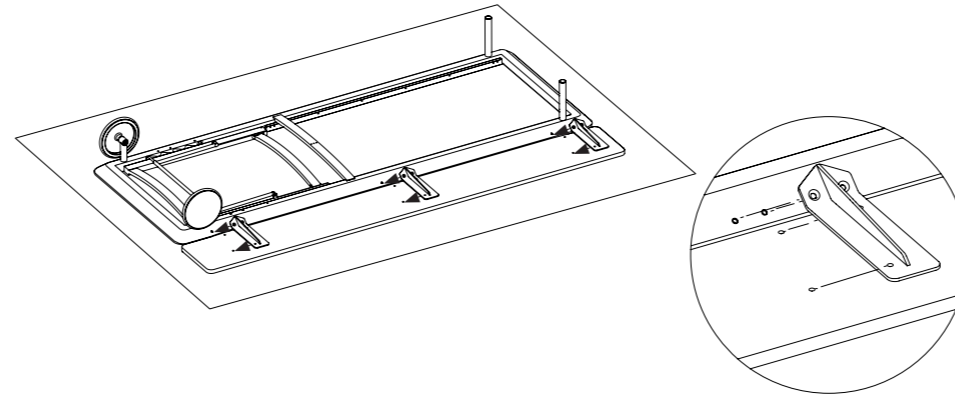
6 x
Flathead screw

ASSEMBLY INSTRUCTIONS

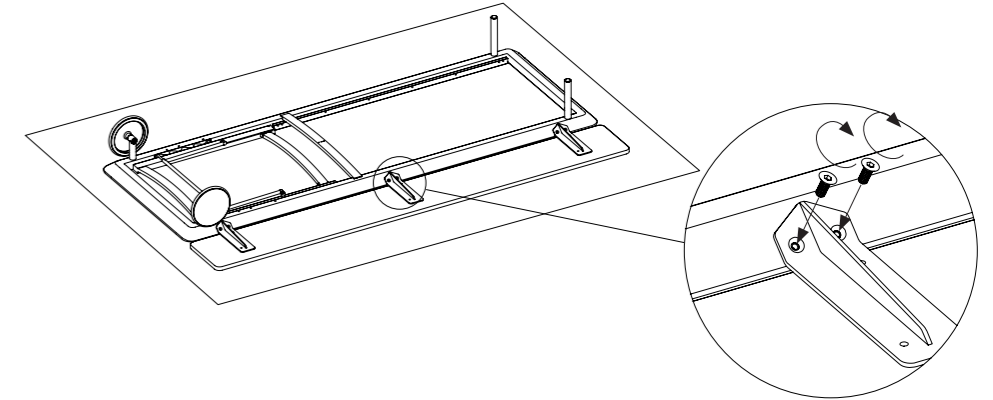
- 1 Place the lounger and teak table top upside down on a protective cover.



- 2 Align all the holes in the connectors with the holes in the lounger and teak table top.



- 3 Secure the connectors to the lounger frame using 2 countersunk screws for each connector.



- 4 Secure the connectors to the teak table top using 2 flathead screws for each connector.

