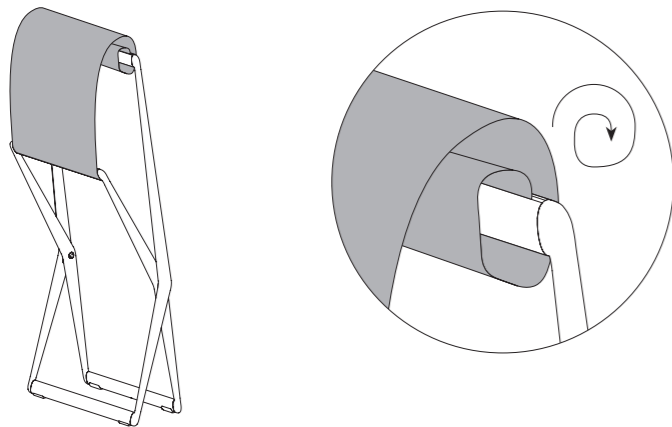
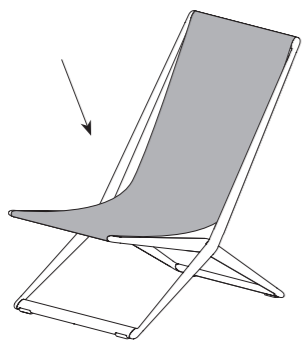


- 5** Fold the chair and wrap the sling around the top rail.
Insert the end of the sling into the rail.



- 6** Open the chair and put some pressure on the sling to check if everything is fixed properly.



ASSEMBLY INSTRUCTIONS

BRANCH BEACH CHAIR

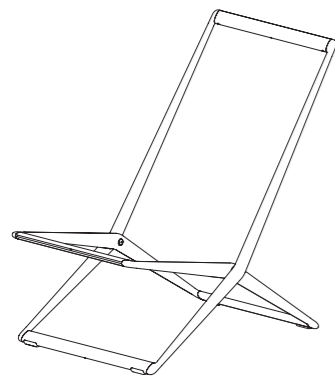
07612-x-x

Tribù nv
Oude Heidestraat 72
3740 Bilzen
BELGIUM

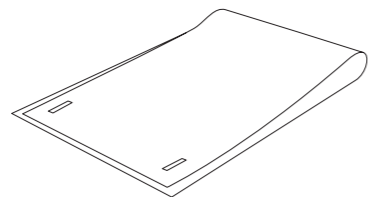
www.tribu.com
info@tribu.com

TRIBÙ
The art of leisure

CONTENT



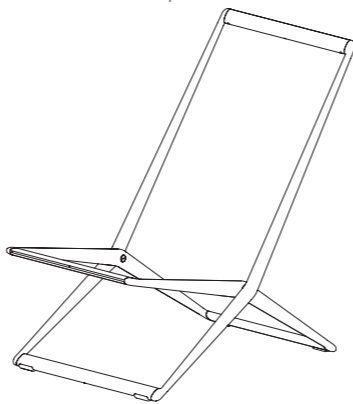
1 x
Beach chair



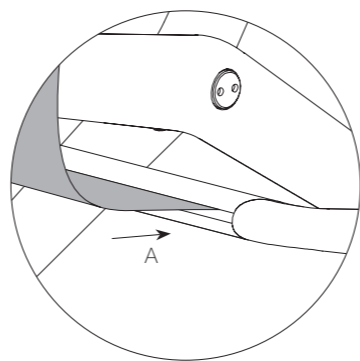
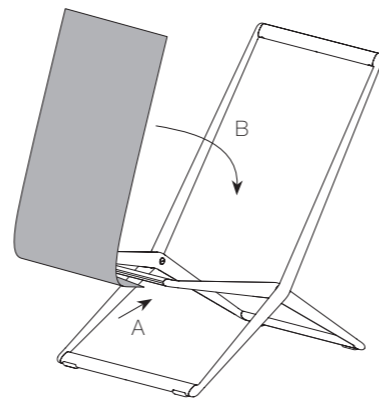
1 x
Sling

ASSEMBLY INSTRUCTIONS

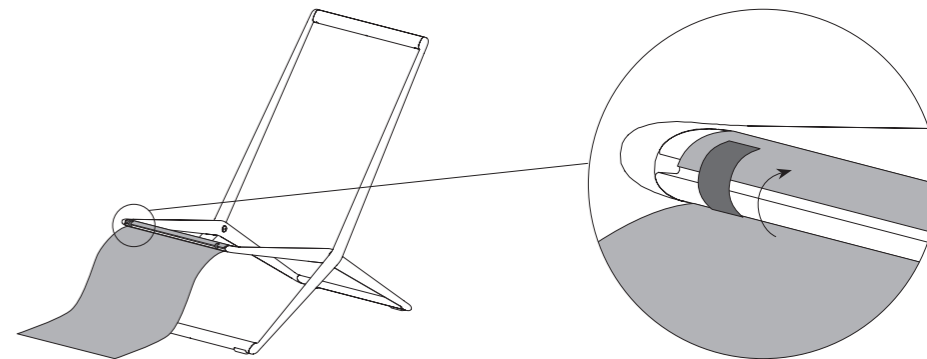
1 Open the chair and place it on a flat surface.



2 Insert the side with the velcro straps into the front rail of the beach chair. The velcro straps should be facing the chair (A). Then fold the sling over the rail (B).



3 Attach the 2 velcro straps.



4 Fold the chair and wrap the sling around the top rail.

