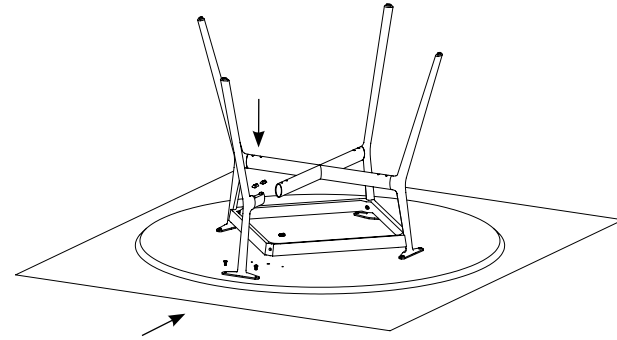
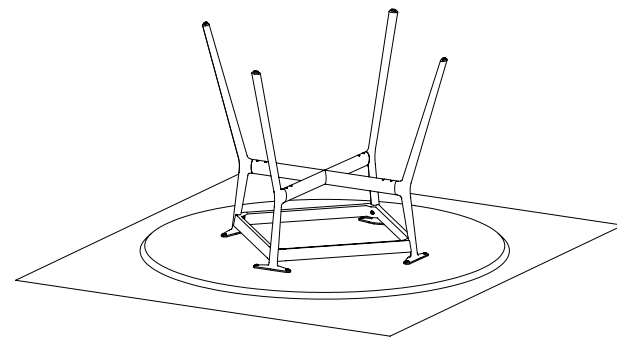


- 5** Attach the third leg with:
- 2 x T-nut to attach Leg to the Cross (screw 100%)
  - 2 x Bolt A to attach the Leg to the Tabletop (screw 30%)
  - 1 x Bolt B to attach the Leg to the Square (screw 100 %)



- 6** Screw all A bolts 100 % and carefully turn the table upside down.



ASSEMBLY INSTRUCTIONS

**BRANCH DINING TABLE DIA 125 CM**

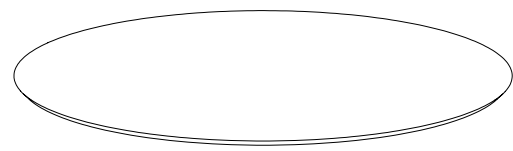
07662-xx-xx

Tribù nv  
Oude Heidestraat 72  
3740 Bilzen  
BELGIUM

[www.tribu.com](http://www.tribu.com)  
[info@tribu.com](mailto:info@tribu.com)

**TRIBÙ**  
The art of leisure

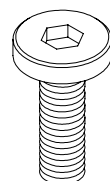
## CONTENT



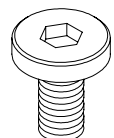
1 x  
Tabletop



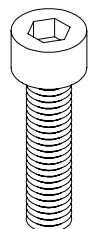
1 x  
Square



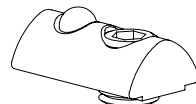
8 x  
Bolt A Long



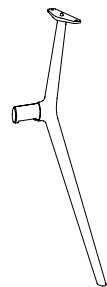
8 x  
Bolt A Short



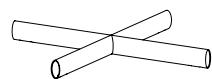
4 x  
Bolt B



8 x  
T-Nut + Headless screw



4 x  
Leg

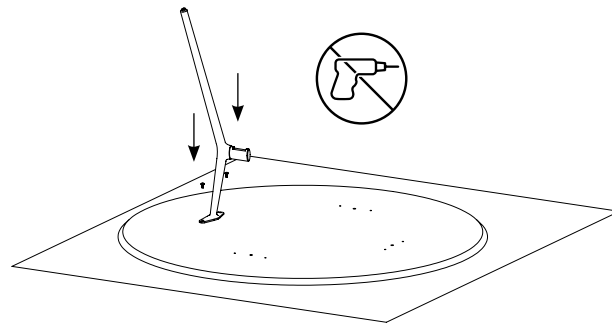


1 x  
Cross

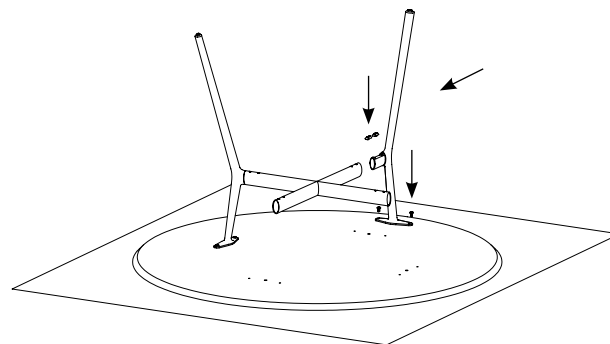
## ASSEMBLY INSTRUCTIONS

- 1** Put the tabletop upside down on a protective cover.  
Attach 1 leg with 2 x Bolt A using an Allen key. Screw the bolts 30 %.  
**Use the correct bolts and don't use a power tool!**

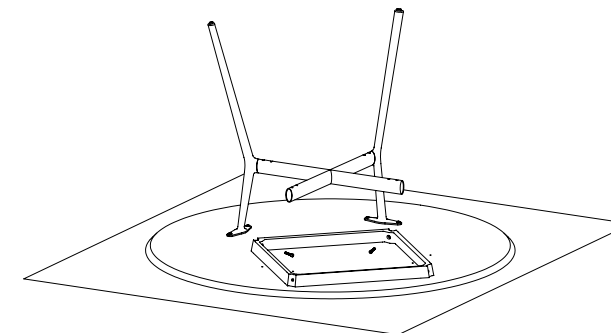
TABLETOP	BOLT A
ALUMINIUM	LONG (2 cm)
TEAK	LONG (2 cm)
GRANITE	SHORT (1,2 cm)



- 2** Attach a second leg with:  
- 2 x T-nut to attach the Leg to the Cross (screw 100%)  
- 2 x Bolt A to attach the Leg to the Tabletop (screw 30%)



- 3** Attach the Square to both legs with:  
- 2 x Bolt B to attach the Square to the Legs (screw 100%)



- 4** Attach the third leg with:  
- 2 x T-nut to attach Leg to the Cross (screw 100%)  
- 2 x Bolt A to attach the Leg to the Tabletop (screw 30%)  
- 1 x Bolt B to attach the Leg to the Square (screw 100 %)

