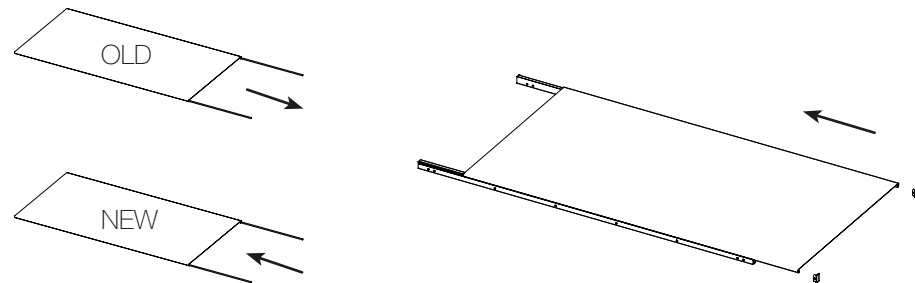
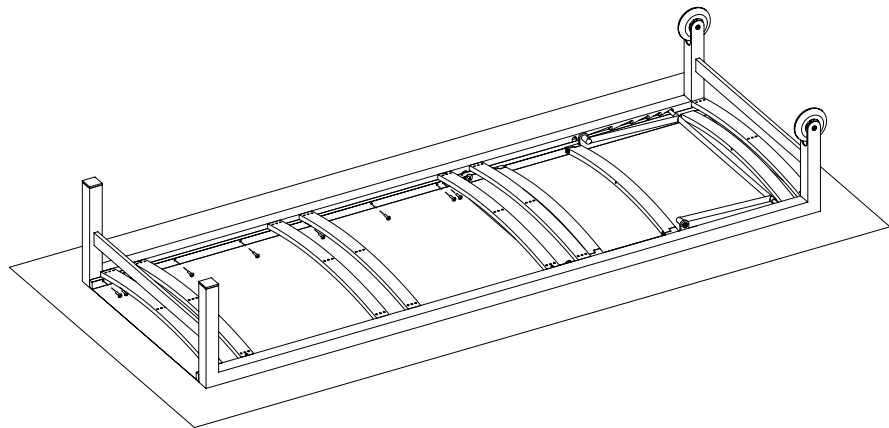


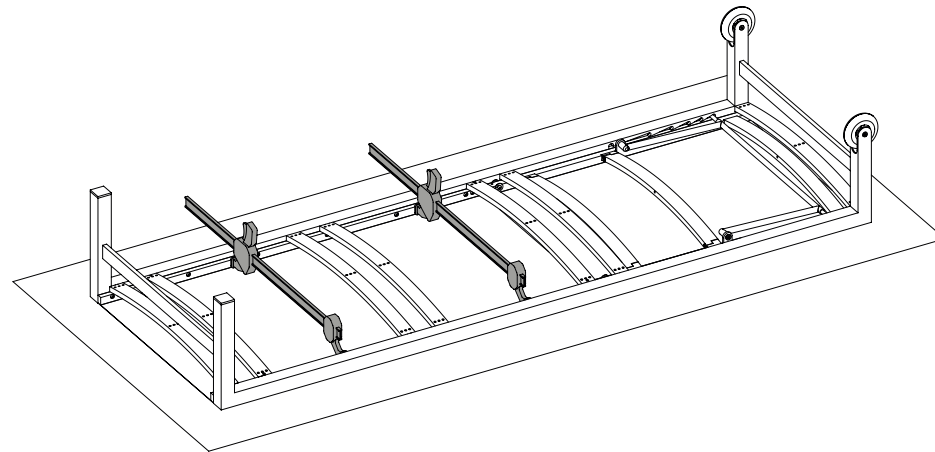
- 5** Take out the two hard plastic tubes from the old Batyline and insert them into the new Batyline. Then slide the new Batyline + Plastic tube back into the aluminum profiles and finally insert the plastic part.



- 6** Carefully place the frame over the Batyline + Alu profiles. Use 6/8 flat head screws to attach 1 profile, screw these screws for 25%.



- 7** Use 2 clamps to force the aluminum strips against the frame so there is tension on the Batyline. Use 6 or 8 flathead screws to attach the aluminum profile. Screw the 4 headless screws from step 2 back into their place. Fix all screws 100%. Take away the clamps.



FRAME BATYLINE REPLACEMENT

FORUM LOUNGER

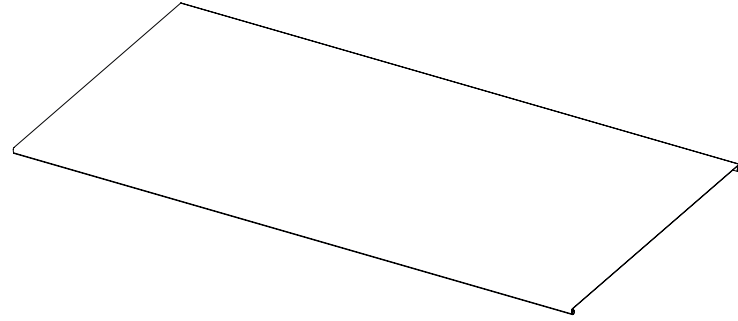
06040-x

Tribù nv  
Langendijkstraat 5a  
3690 Zutendaal  
BELGIUM

www.tribu.com  
info@tribu.com

**TRIBÙ**  
The art of leisure

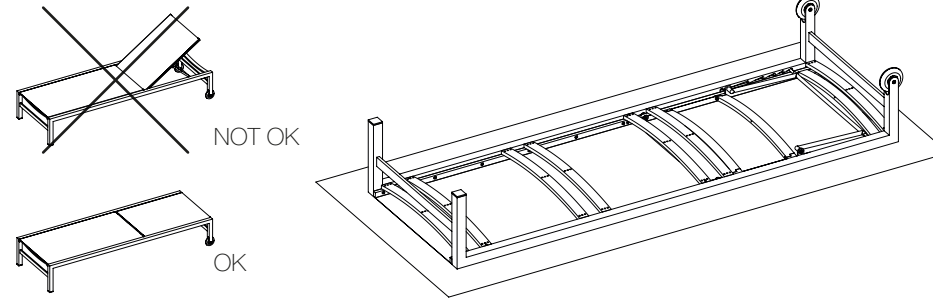
## CONTENT



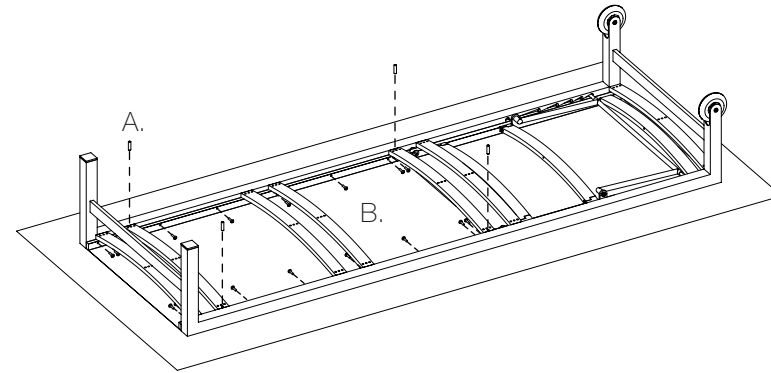
1 x  
Replacement Batyline Frame

## ASSEMBLY INSTRUCTIONS

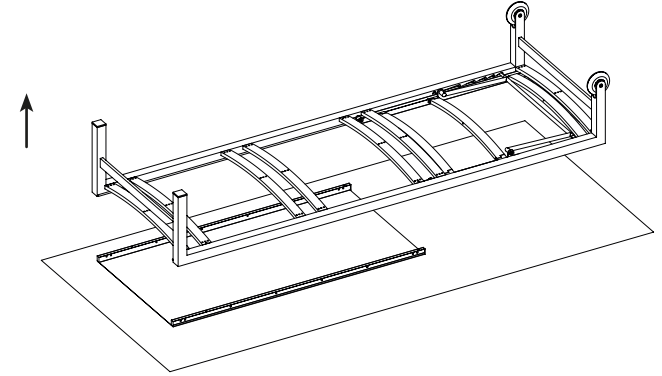
- 1** Make sure the lounger is in the flat position.  
Carefully put it upside down onto a protective surface.



- 2** Unscrew the following screws  
A. 4 headless vertical screws  
B. 12 or 16 flat head horizontal screws



- 3** Carefully lift the frame from the bed part.



- 4** Carefully remove the plastic caps and slide the Batyline out of the aluminum tubes.

