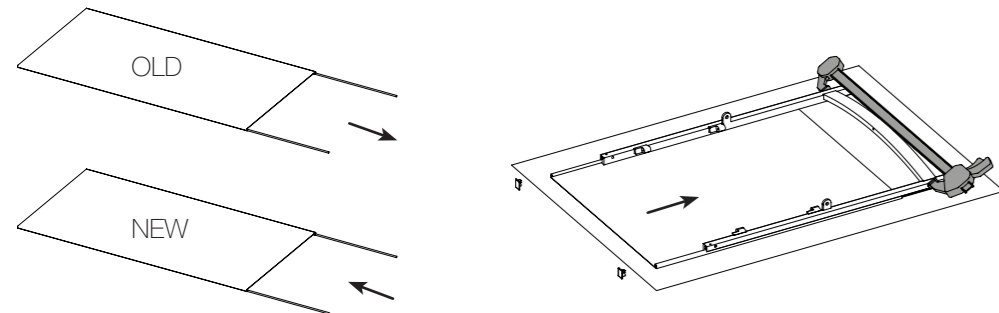
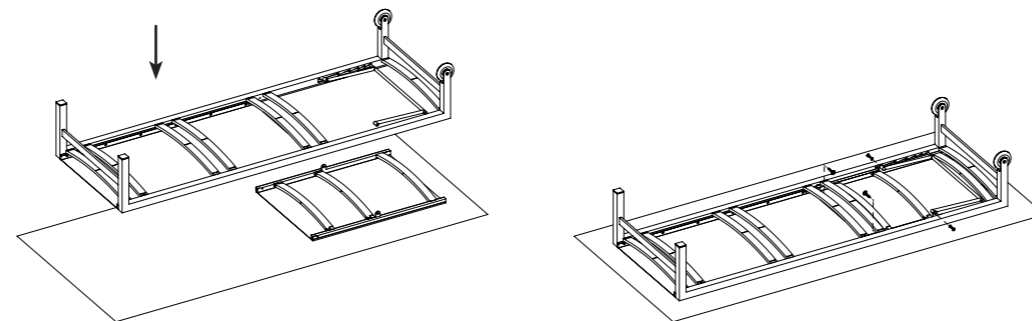


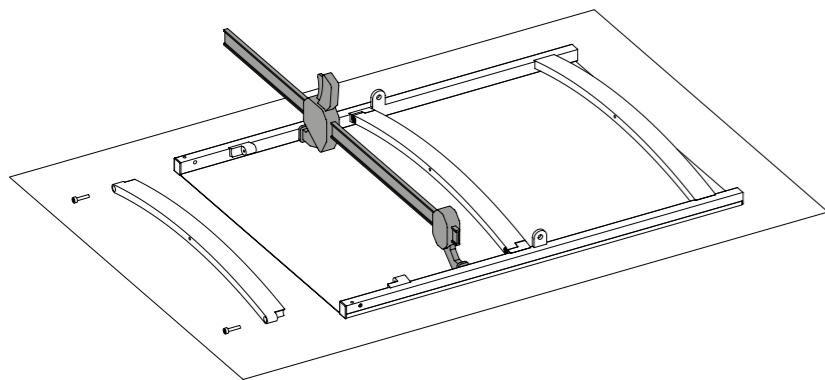
- 5** Slide the plastic tube from the Batyline and slide it into the new Batyline.  
Slide the new Batyline + Plastic tube back into the headrest.  
Use the clamp like in step 4 to make it easier.



- 7** A. Carefully place the frame over the headrest.  
B. Fix the screws from step 2.



- 6** Use a clamp to put pressure on the headrest and Batyline. Put the 2 reinforcements back into place and fix with the screws from step 3B.



## HEADREST BATYLINE REPLACEMENT

### FORUM LOUNGER

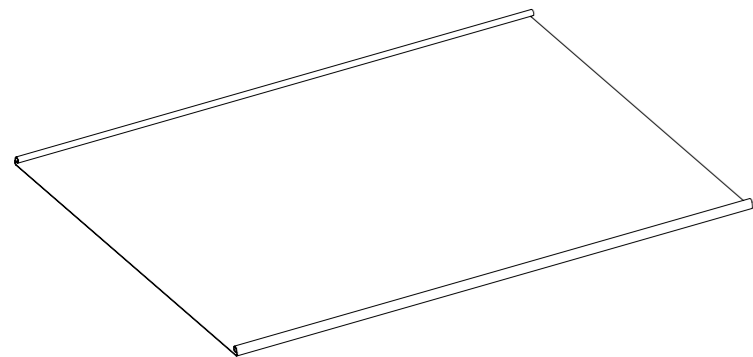
06040-x

Tribù nv  
Langendijkstraat 5a  
3690 Zutendaal  
BELGIUM

[www.tribu.com](http://www.tribu.com)  
[info@tribu.com](mailto:info@tribu.com)

**TRIBÙ**  
The art of leisure

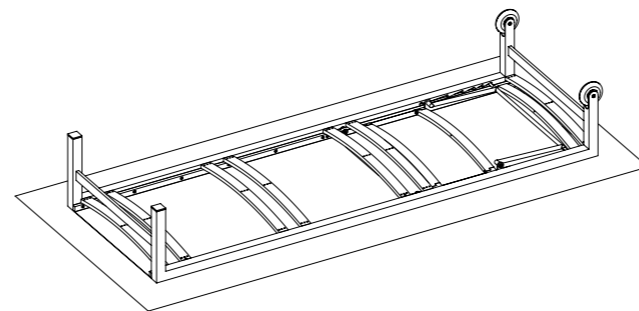
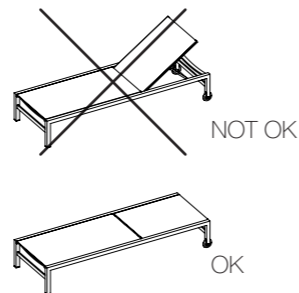
## CONTENT



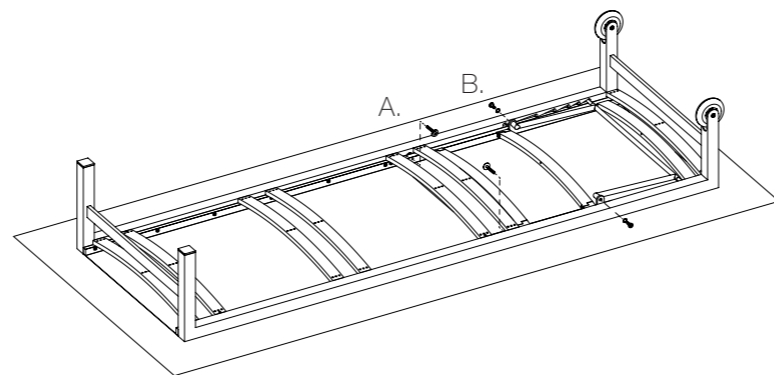
1 x  
Replacement Batyline Headrest

## ASSEMBLY INSTRUCTIONS

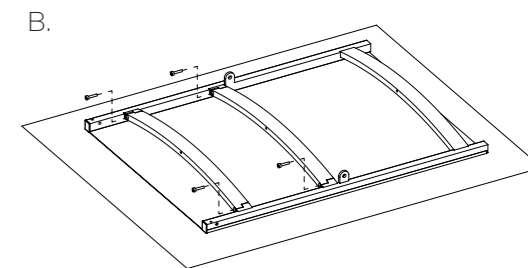
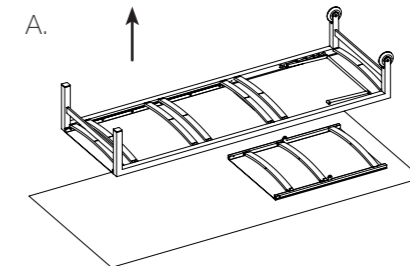
- 1** Make sure the lounger is in the flat position.  
Carefully put it upside down onto a protective surface.



- 2** Unscrew the following screws  
A. 2 Screws at the hinge location  
B. 2 Screws too loosen the headrest support



- 3** A. Carefully lift the frame from the bed part.  
B. Unscrew the screws that fix the reinforcements and take away the reinforcements.



- 4** Put pressure on the welded reinforcement with a clamp. Then remove the plastic parts and slide out the Batyline.

