

Assembly instructions

ILLUM Tennisbench

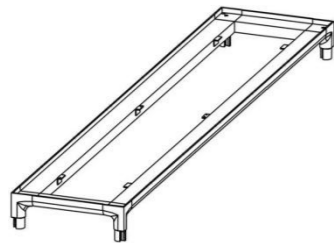
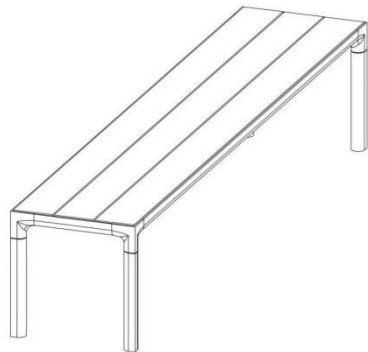
05734

Tribù nv  
Langendijkstraat 5a  
3690 Zutendaal  
BELGIUM

[www.tribu.com](http://www.tribu.com)  
[info@tribu.com](mailto:info@tribu.com)

**TRIBÙ**  
The art of leisure

## Content



1x Bench structure



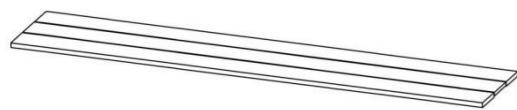
4x leg



8x bolt (95mm)



8x washer



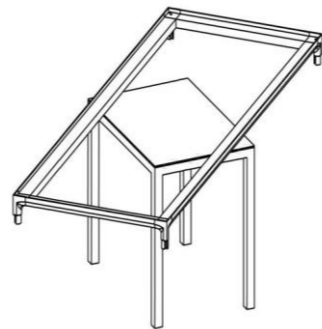
1x Bench Teak top



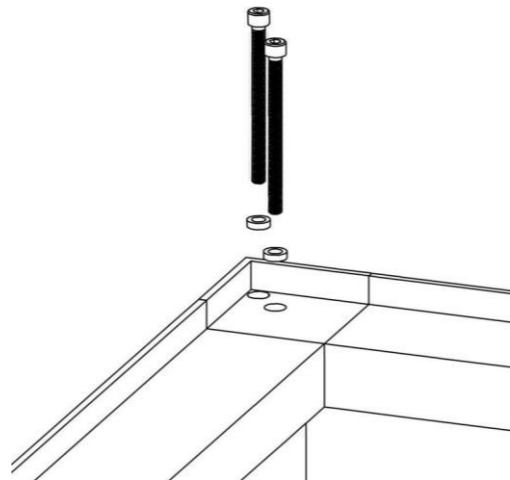
16x screw for teak top

## Assembly Instructions

**1** Put the bench structure on top of a table as shown in the picture below. Please use a cloth in order to protect the lacquer of the structure.

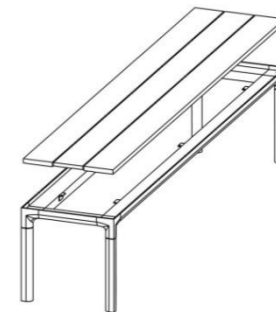


**2** Take one leg and 2 bolt with 2 washers. Screw the leg onto the bench structure in alternating way as shown in the picture below.

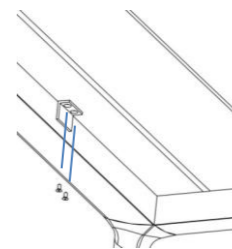


**3** Repeat this step for the other legs of the bench.

**4** Place the teak top onto the structure as shown in picture below.



**5** Screw the teak top in place as shown in the picture below.



**6** You can adjust the glider at the bottom of the legs to make sure the bench stands horizontal.