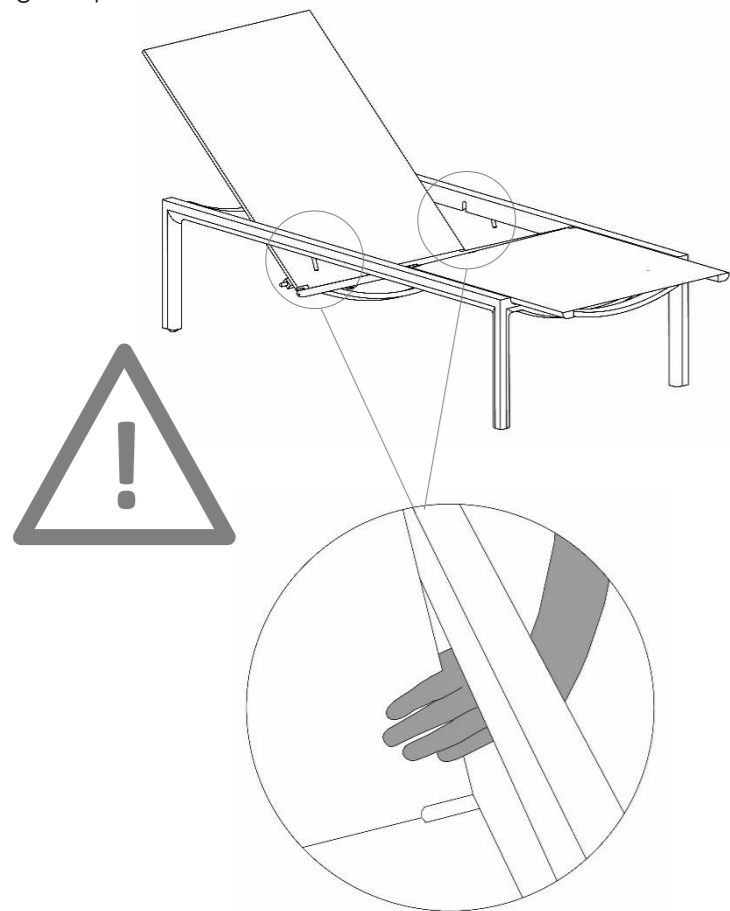


3 ATTENTION. Do not put your fingers or hand in the between the frame and moving bed parts.



Tribù nv
Langendijkstraat 5a
3690 Zutendaal
BELGIUM

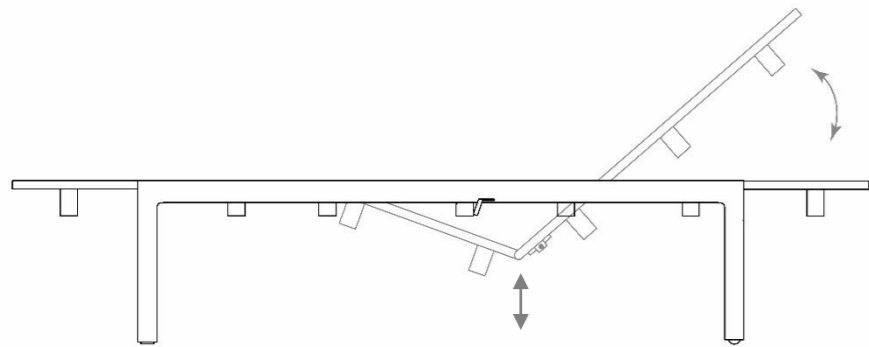
www.tribu.com
info@tribu.com

User manual
ILLUM Lounger
06540

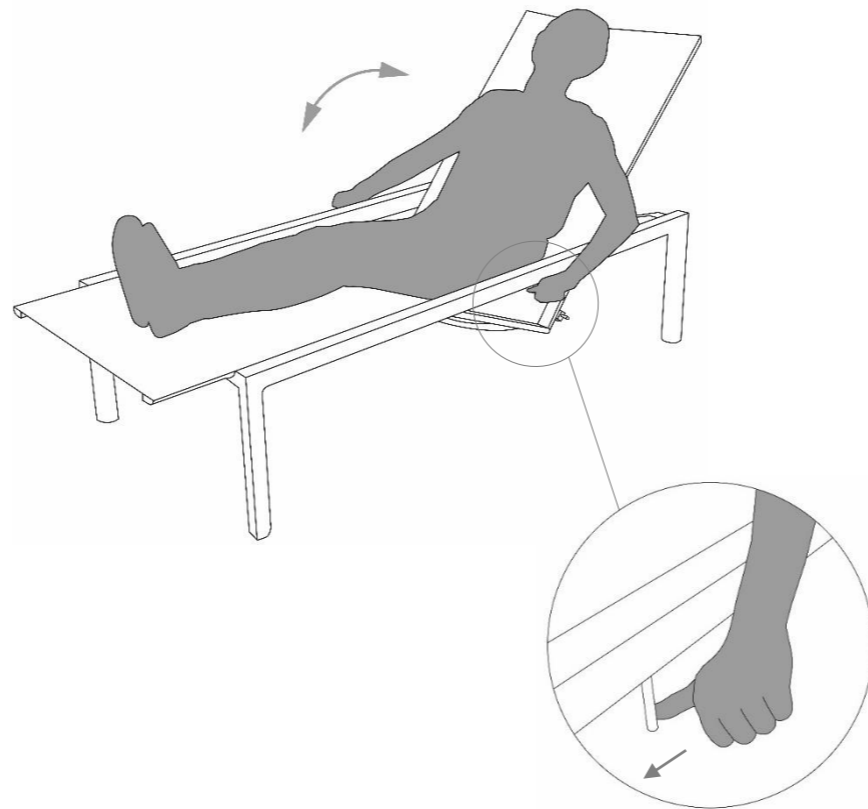
TRIBÙ
The art of leisure

User manual

- 1** The Illum lounger offers different seating positions. It not only inclines, but also lowers itself to offer an unmatched comfort.



- 2** To activate the seating mechanism, lay down in the lounger and PUSH BOTH HANDLES with your thumbs. Move the bed using your bodyweight while pushing the handles. Once you are in the desired position, release the handles.



- 3** Make sure BOTH handles flip back, especially when using the lounger horizontal.

