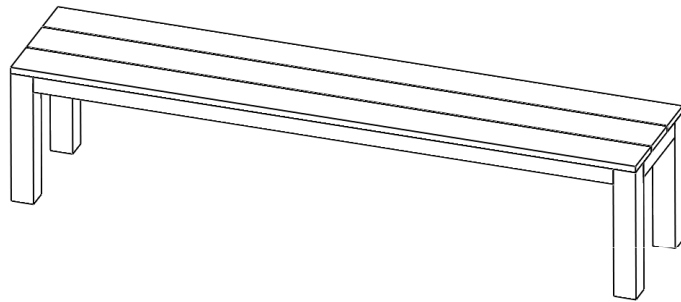
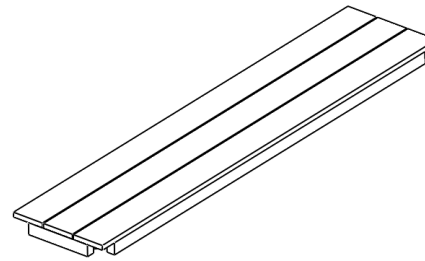


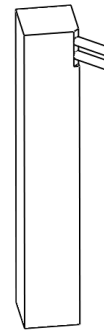
1x Kos bench / table



1x complete top



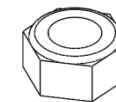
4x legs



8x O-rings

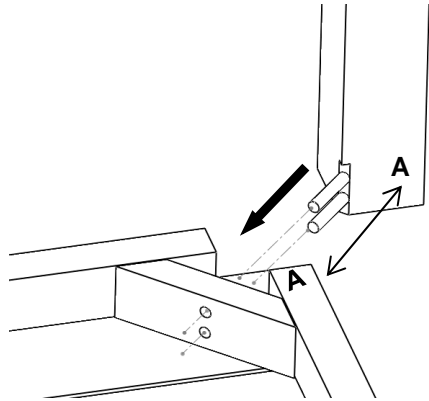


8x bolts

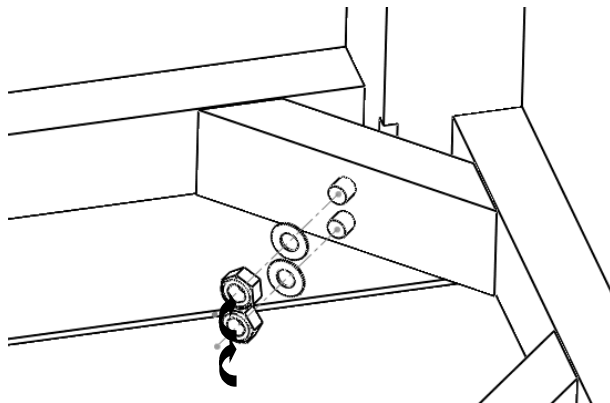


# Assembly Instructions KOS Backless bench + Table

- 1 Turn the top upside down and slide the bolts of the leg into the holes of the corner with the matching code.



- 2 Use two nuts and two O-rings to tighten the leg.



- 3 Repeat steps 1 and 2 with the other legs.  
**Make sure that each leg is placed in the matching corner.**