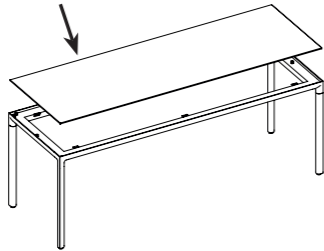
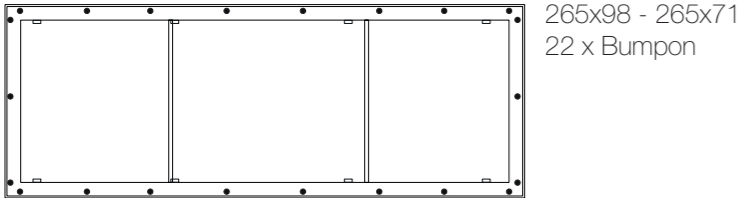
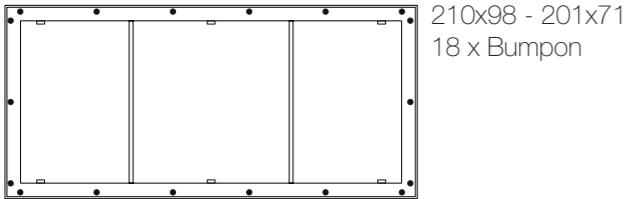
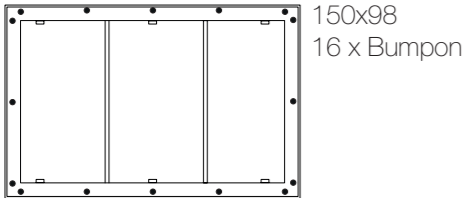
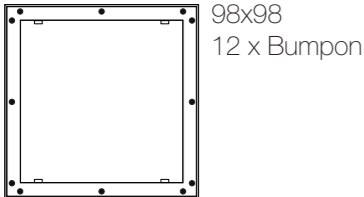


6 Place bumpons on the inside of the table frame. Screw the bumpons in the recessed holes as marked below. Then carefully place the ceramic top on the frame.



ASSEMBLY INSTRUCTIONS

ILLUM DINING TABLES TEAK

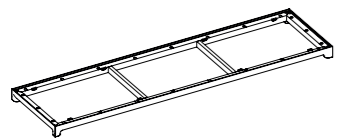
06573-T - 06550-T - 06552-T - 06554-T
06552xs-T - 06554xs-T

Tribù nv
Oude Heidestraat 72
3740 Bilzen
BELGIUM

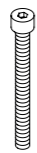
www.tribu.com
info@tribu.com



CONTENT



1 x
Table frame



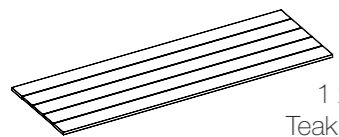
8 x
Bolt



4 x
Short leg



8 x
Washer



1 x
Teak top



Wood screw



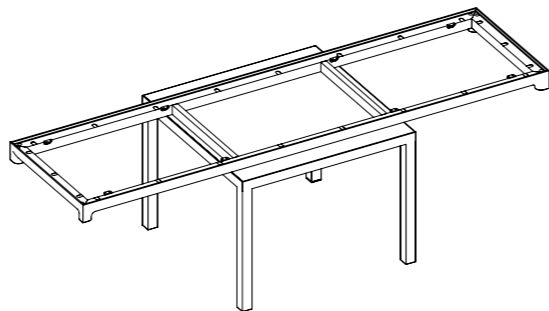
1 x
Ceramic top



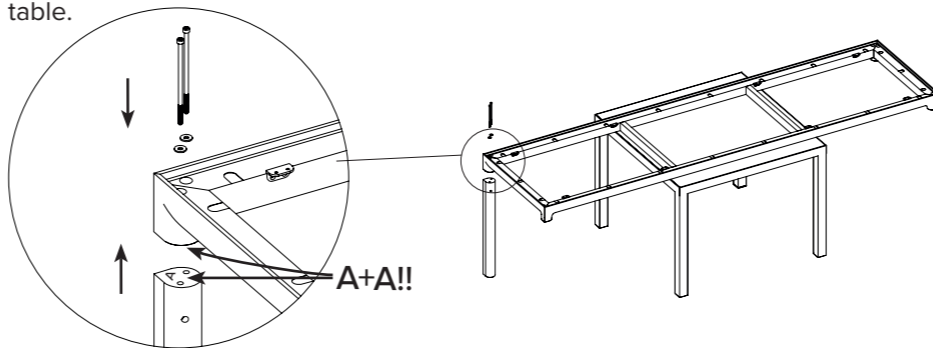
Bumpon

ASSEMBLY INSTRUCTIONS

- 1 Put the table frame on top of another table as shown in the picture below. Use a protective cloth to protect the table frame.

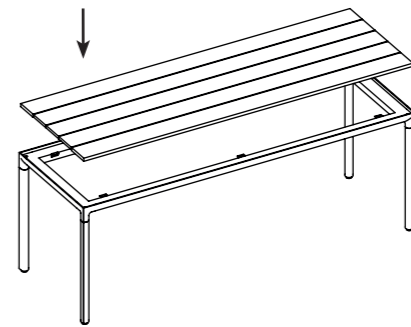


- 2 Take 1 x short leg, 2 x bolt and 2 x washer. Before securing the leg to the frame make sure the marking on the leg matches the marking on the frame **A+A**, **B+B**, **C+C**, **D+D**. Repeat this for every leg. Screw the leg onto the table frame in an alternating way. Note that every leg has an adjustable glider so you can level the table.



- 3 For CERAMIC TOP, skip to step 6. For TEAK TOP, continue to step 4.

- 4 Carefully place the teak top on the table.



- 5 Fix the teak top using the wood screws.

