

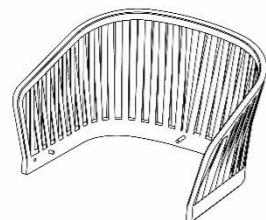
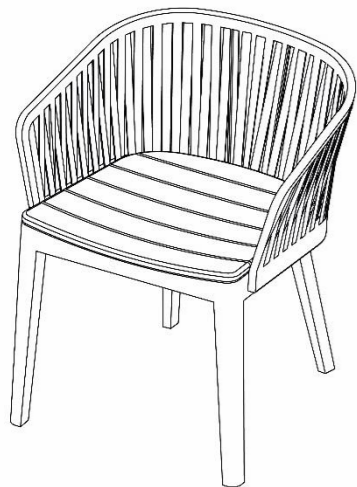
Assembly instructions
MOOD armchair
06218

Tribù nv
Langendijkstraat 5a
3690 Zutendaal
BELGIUM

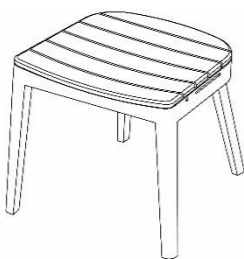
www.tribu.com
info@tribu.com

TRIBÙ
The art of leisure

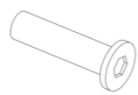
Content



1 x Back



1 x Seat



2 x bolt



1 x nut



3 x washer

Required tools:



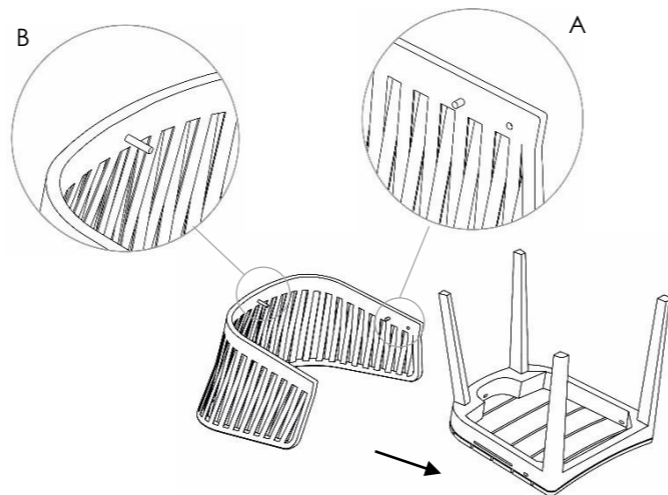
Allen key



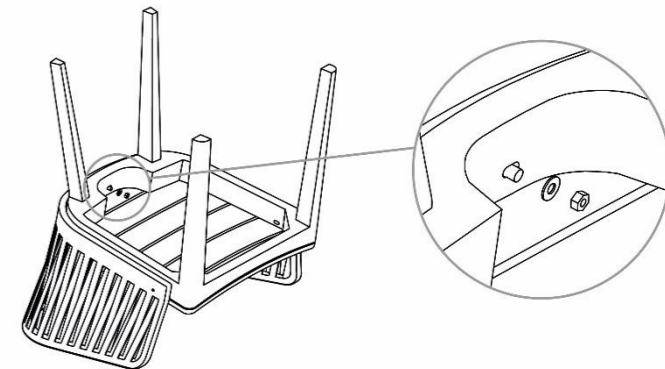
Adjustable spanner

Assembly Instructions

- 1** Slide the Back part onto the seat part. The Back part has 2 guiding pins (A) that fit into a designated slot in the Seat part. The Back part also has a threaded pin (B) that fits into a hole in the Seat part. Push the Back part firmly against the Seat part.



- 2** Attach the Back part to the seat part using 1 x washer, 1 x nut and an adjustable spanner.



- 3** Use 2 x screw, 2 x washer and an Allen key to connect the Back part to the Seat part on the front side of the chair.

