

Assembly instructions

PURE SOFA corner

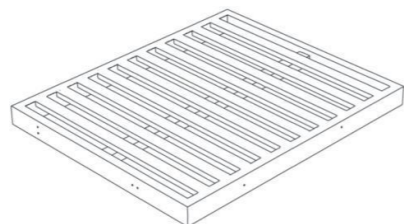
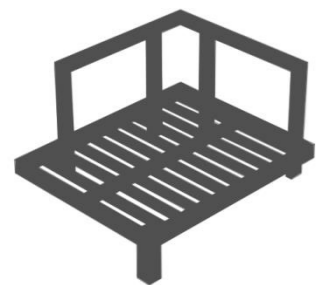
01201 / 01201-03

Tribù nv
Langendijkstraat 5a
3690 Zutendaal
BELGIUM

www.tribu.com
info@tribu.com

TRIBÙ
The art of leisure

Content



1 x seatrest



1 x leg

woodglue



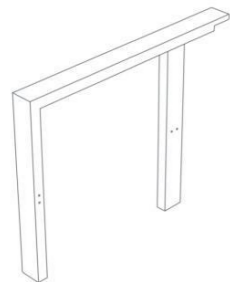
3 x M6x25mm



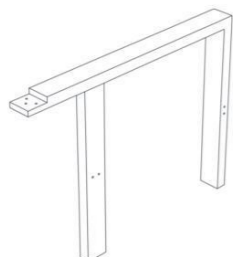
10 x M6x50mm



4 x wooden dowel
Ø8x2,8cm



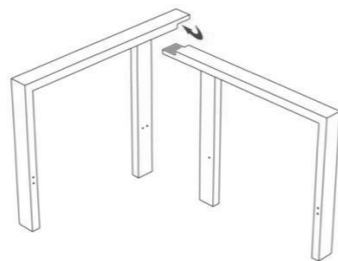
1 x backrest



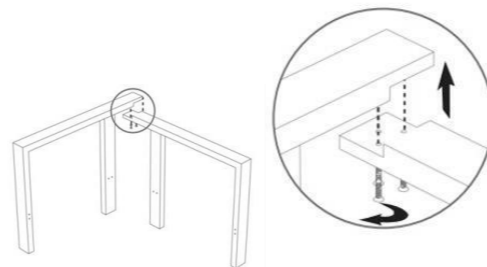
1 x armrest

Assembly Instructions

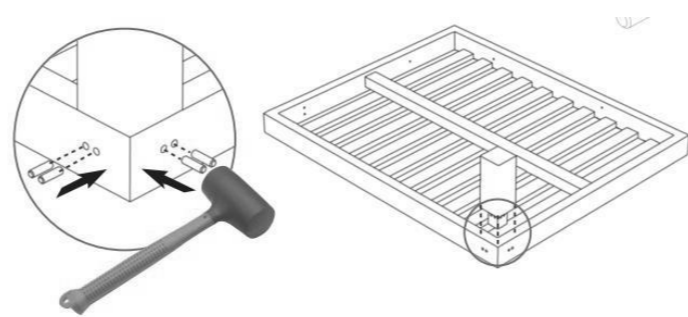
1 Put glue on the thin part of the armrest and on the thin part of the backrest



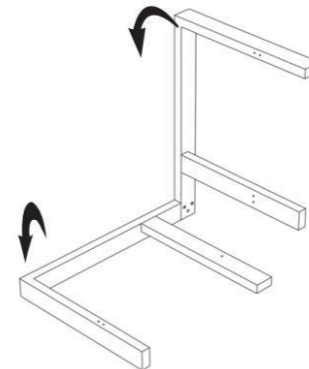
2 Carefully connect the armrest to the backrest using the three M6x25mm bolts. Tighten the bolts well, using the Allen M6 key (not included). Clean the outcoming glue.



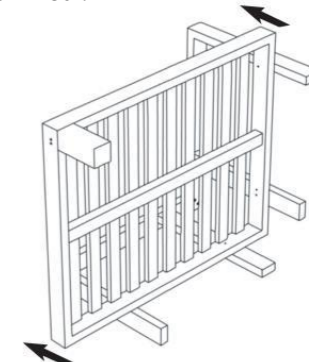
3 Put the small leg into place (as shown on the picture). Put glue on the dowels and insert them into the holes at the side of the leg (best use a rubber hammer, not included). Clean the outcoming glue.



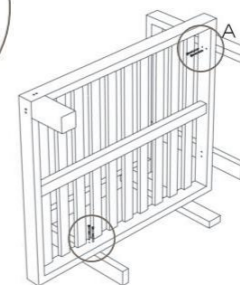
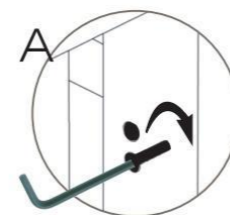
4 Now gently tilt the sofa corner on its side.



5 Insert the seatrest between the backrest and armrest.



6 Use 2 M6x50mm to fix the seat with the frontlegs (left and right).



6 Use 3 M6x50mm bolts to fix the seat on the backlegs

