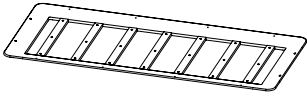


ASSEMBLY INSTRUCTIONS

SENJA SOFA

COMPONENTS



FRAME
Regular / Deep

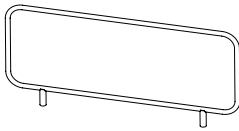


LEG
alu / teak



CONNECTION
Frame-frame / Frame-table

Components for back- and armrest:



ARMREST / BACKREST
High / Low
Regular / Deep



CLAMP

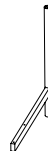
Components for the console table:



CONSOLE TABLE
lava stone / teak



SUPPORT



HIGH LEGS

COMPONENTS

Components for the side table:



SIDE TABLE
lava stone / teak

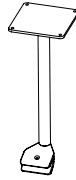


TABLE LEG

Components for the table:

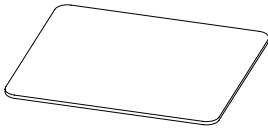


TABLE
lava stone / teak

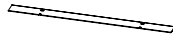
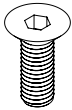


TABLE SUPPORT
large



TABLE SUPPORT
Small

Hardware:



LARGE SCREW
countersunk



SMALL SCREW
countersunk



WOOD SCREW



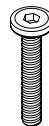
WASHER



SMALL FLAT SCREW
Small flathead



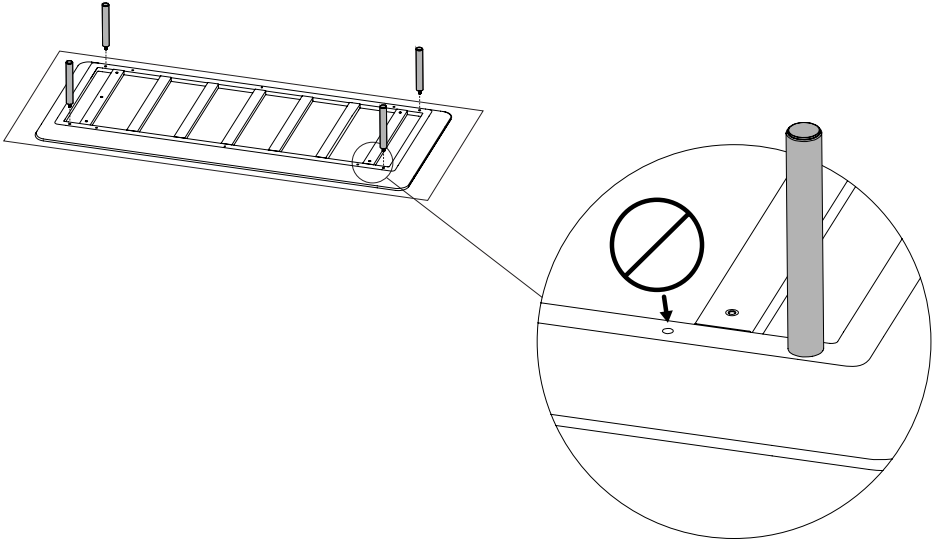
MEDIUM FLAT SCREW
Medium flathead



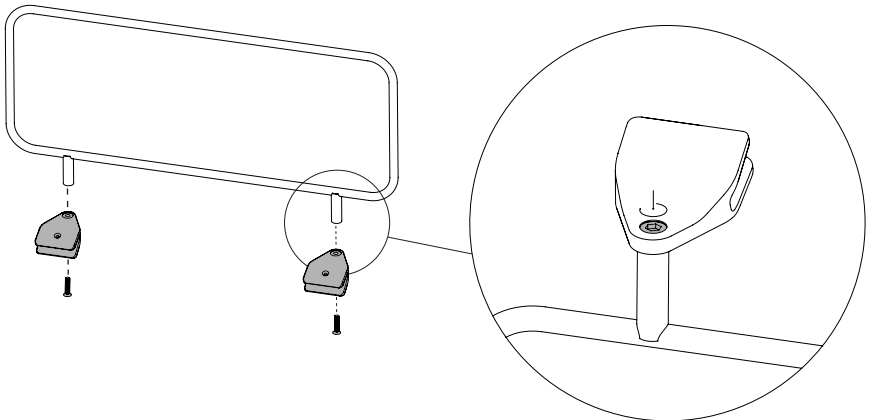
LARGE FLAT SCREW
Large flathead

ASSEMBLY INSTRUCTIONS

- 1** Put the FRAME upside down on a protective cover. Attach the LEGS to the frame by turning them clockwise. **Don't** use the center holes. Repeat this step for each FRAME.

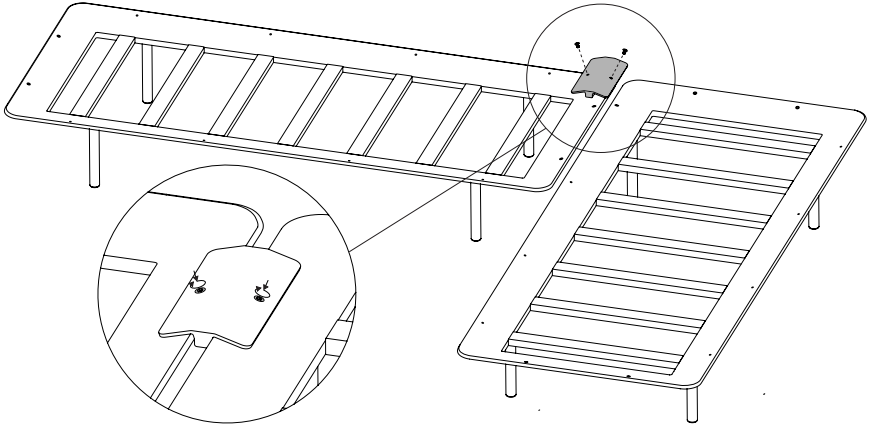


- 2** Use 2 LARGE SCREW to mount 2 CLAMPS to each ARM/BACKREST provided. To secure the CLAMPS to the ARM/BACKREST turn the LARGE SCREWS clockwise and tighten for 90%.

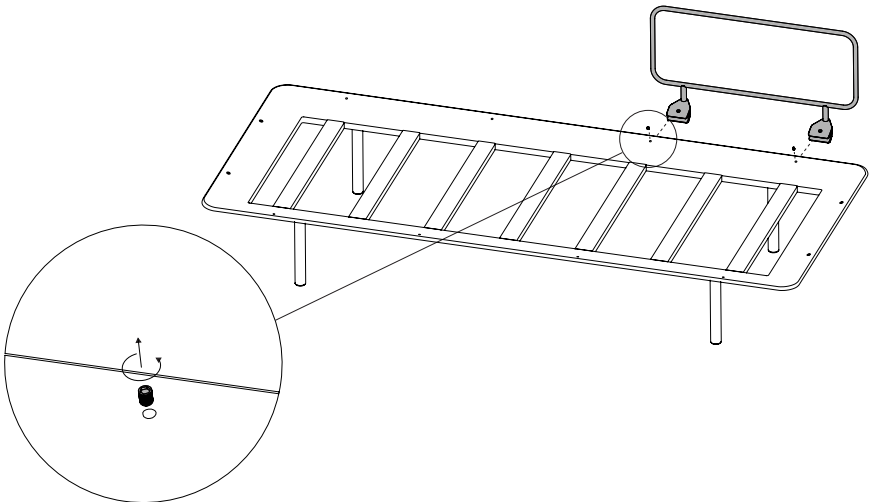


3

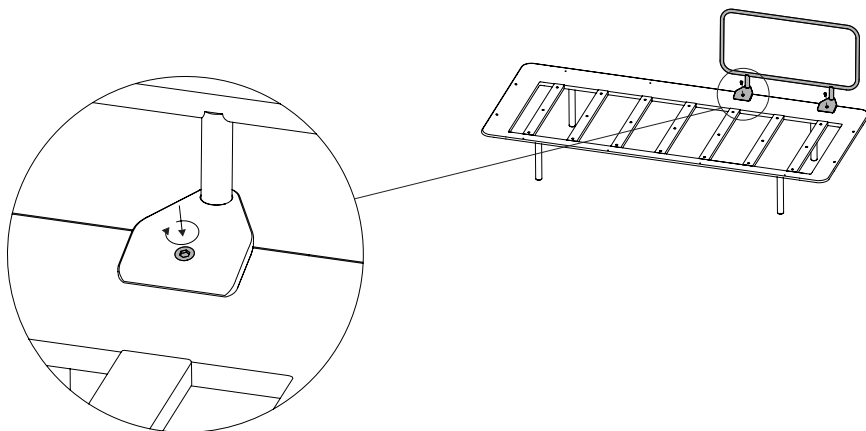
If you only have 1 FRAME proceed to step **4**. If you want to connect a frame to a table proceed to step **14**. If you have multiple FRAMES put them in the desired position. Once they are in the correct position attach them to each other with the connector. To secure the CONNECTION put 2 SMALL SCREWS in the designated holes and turn them clockwise.

**4**

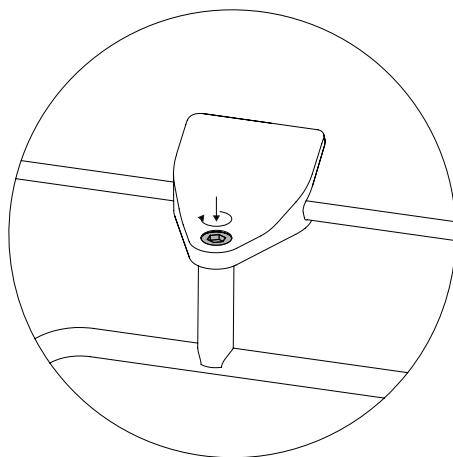
Remove the headless plastic screws that cover the holes.



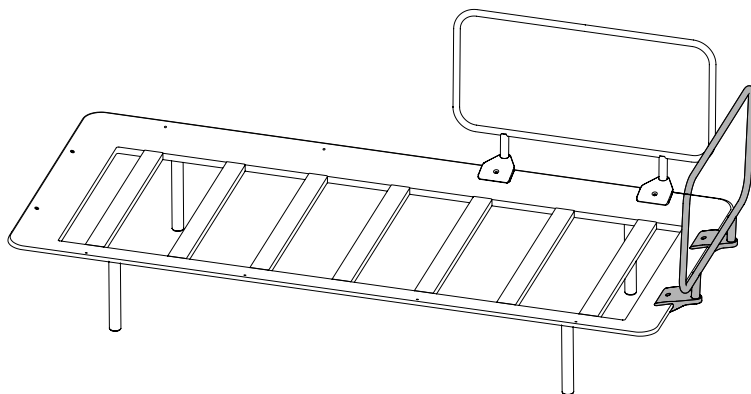
- 5** Put the CLAMPS on the frame in a way the hole of the CLAMP and the frame align. Once aligned, secure the CLAMP by inserting a SMALL SCREW and turning it clockwise. Repeat for the other CLAMP.



- 6** Tighten the BIG SCREWS 100%



7 Repeat steps 5 + 6 for each individual arm/backrest.



8 If your Senja sofa has the following components, continue to the corresponding step.

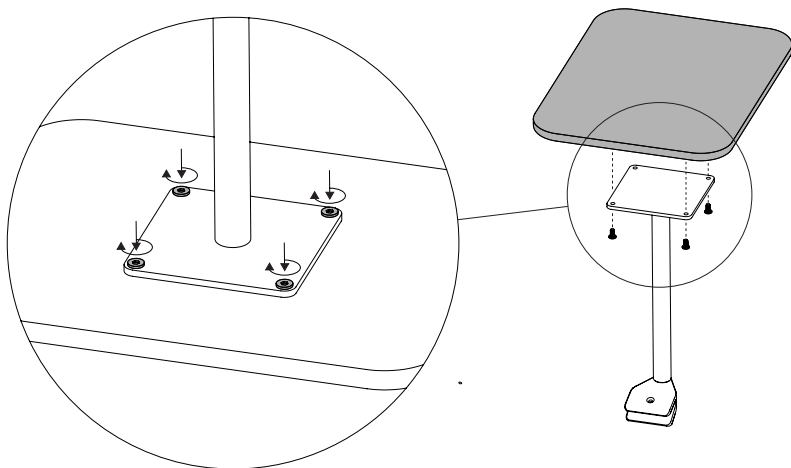
Side table: step **9**

Table: step **12**

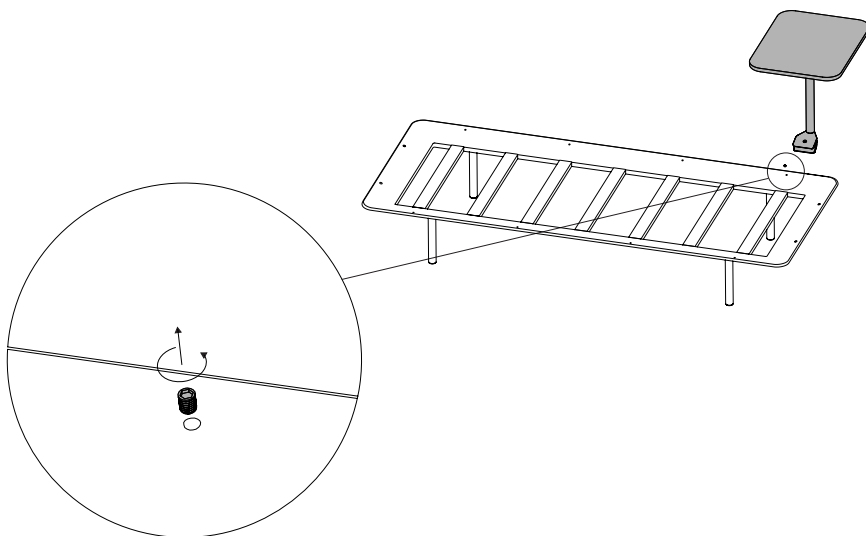
Console table: step **17**

If you don't have any of these components, proceed to step **23**

- 9** Mount the SIDE TABLE on top of the TABLE LEG by using 4 SMALL FLAT-HEAD SCREWS for lavastone and 4 MEDIUM FLATHEAD SCREWS for teak. Turn clockwise to tighten.

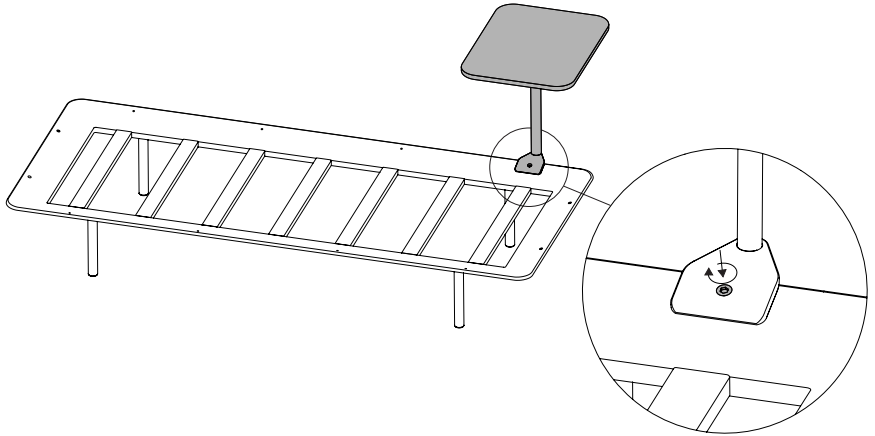


- 10** To mount the assembled SIDE TABLE to the FRAME remove the headless plastic screws in the FRAME there where you want your SIDE TABLE.

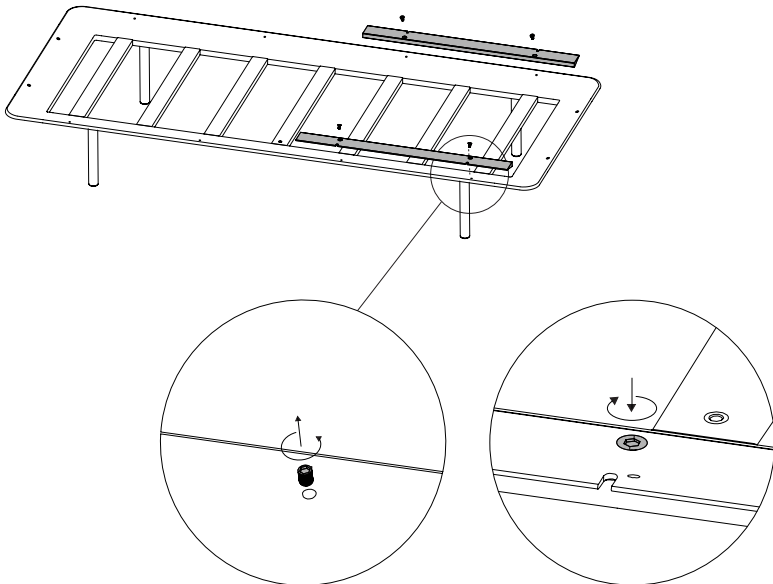


11

To secure the assembled SIDE TABLE to the frame, align the hole in the CLAMP and the hole in the FRAME. Use a SMALL SCREW and tighten it by turning it clockwise.

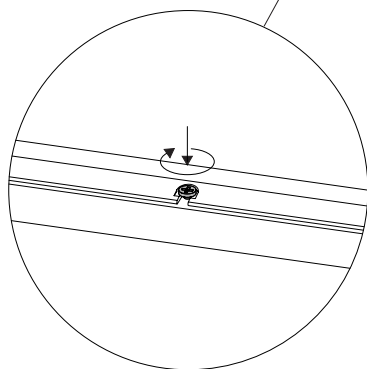
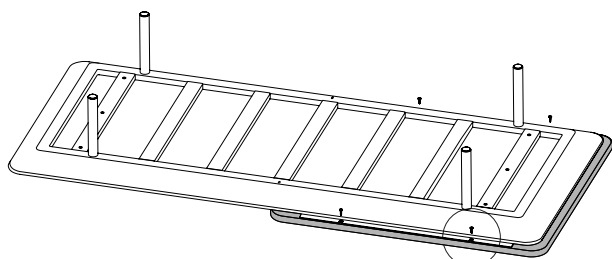
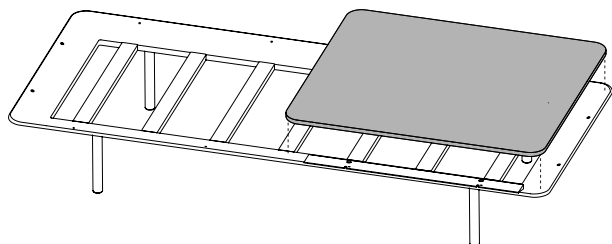
**12**

To install a TABLE, you need to install 2 SUPPORTS first. Remove headless screws first. To attach the TABLE SUPPORTS to the FRAME use 2 SMALL SCREWS per TABLE SUPPORT. Tighten them by turning them clockwise.



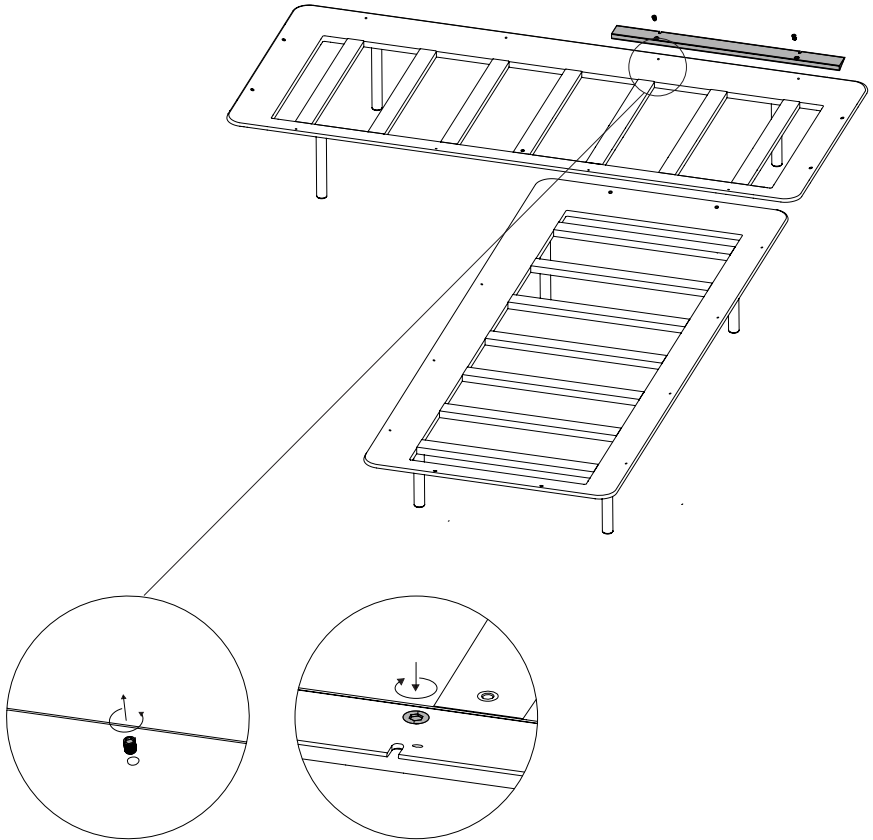
13

Place the TABLE on top of the TABLE SUPPORT. If it is a TEAK table use 4 WOOD SCREWS, if it is a LAVE STONE table use 4 BUTTON SCREWS. To secure the table turn the screws clockwise.



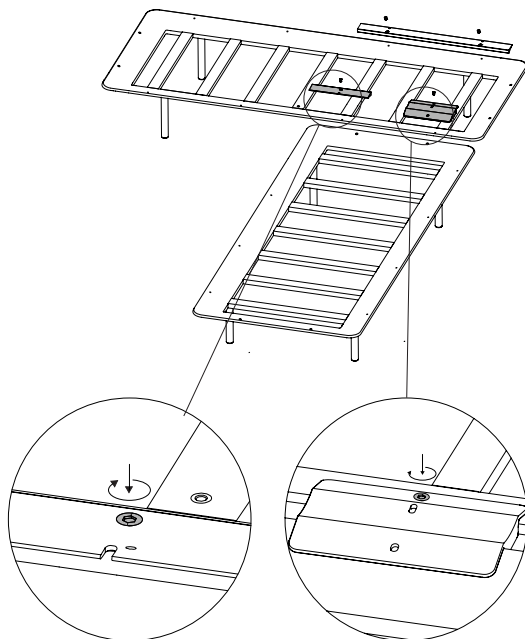
14

To install a TABLE and a connection, you need to install 1 LARGE TABLE SUPPORT first. Remove headless screws first. To attach the LARGE TABLE SUPPORT to the FRAME use 2 SMALL SCREWS per LARGE TABLE SUPPORT.

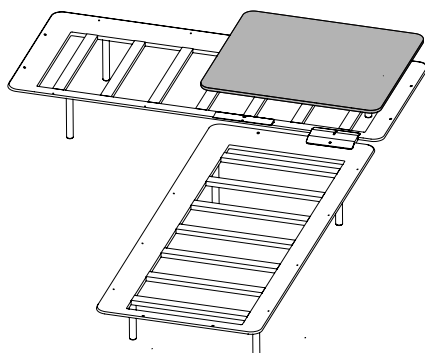


15

Remove headless screws first. Use 1 SMALL SCREW for both the SMALL TABLE SUPPORT and CONNECTION/SUPPORT. Tighten them by turning them clockwise.

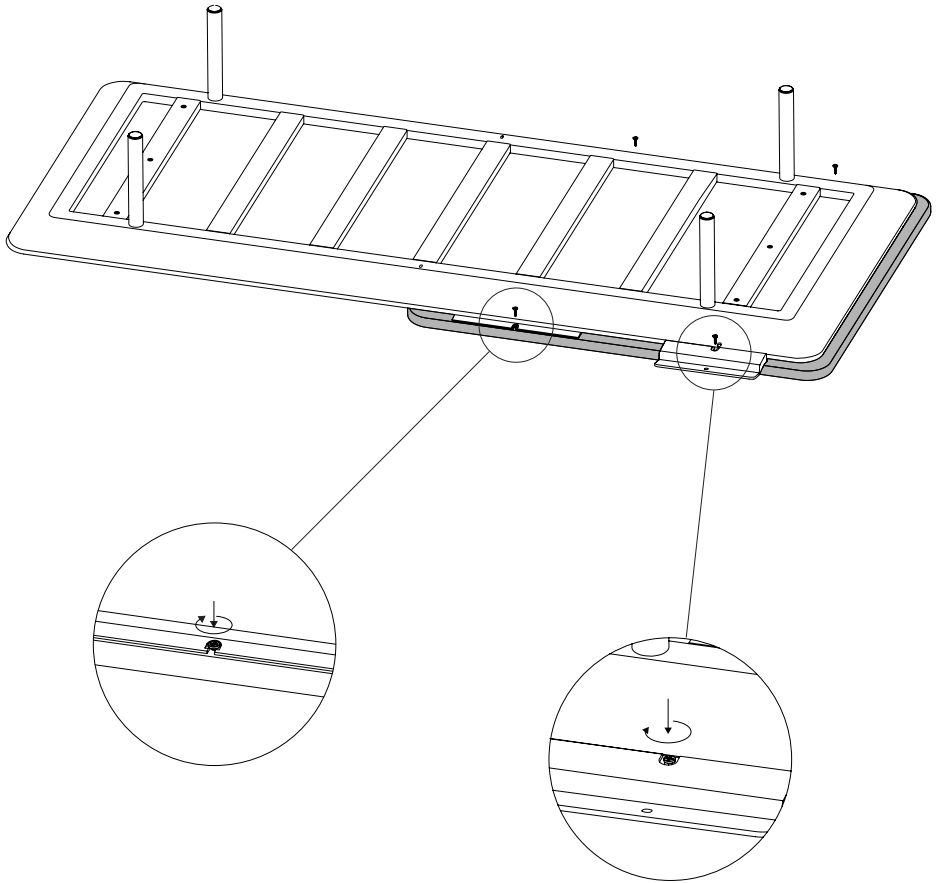
**16**

Place the TABLE on top of the TABLE SUPPORT.



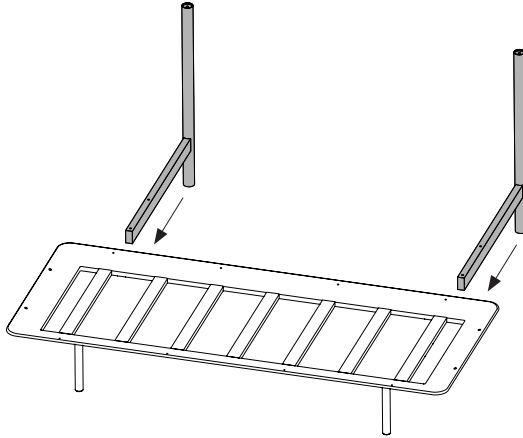
17

Place the TABLE on top of the TABLE SUPPORTS. If it is a TEAK table use 4 WOOD SCREWS, if it is a LAVE STONE table use 4 BUTTON SCREWS. To secure the table turn the screws clockwise.

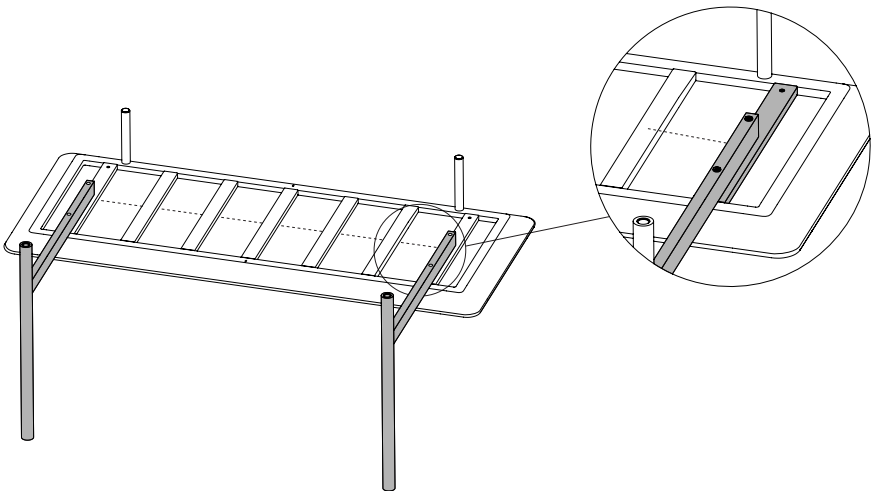


18

To install a CONSOLE TABLE, you need to install the HIGH LEGS + SUPPORT first. To attach the HIGH LEGS to the FRAME make sure there are only 2 LEGS attached to the FRAME. Slide the HIGH LEGS under the frame.

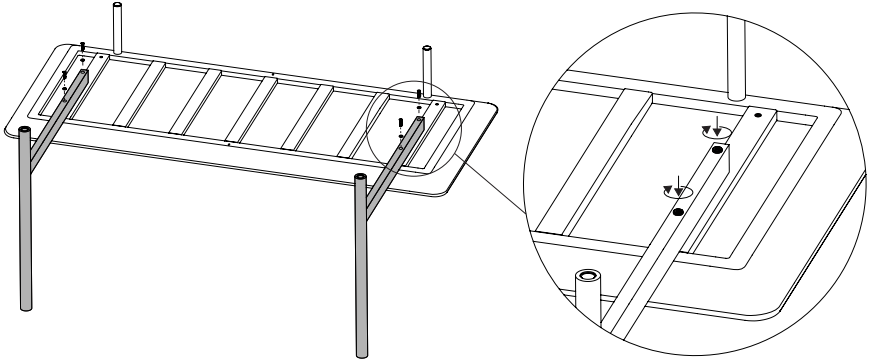
**19**

Make sure the hole in the HIGH LEGS which is the farthest from the post aligns with the holes in the center of the FRAME.

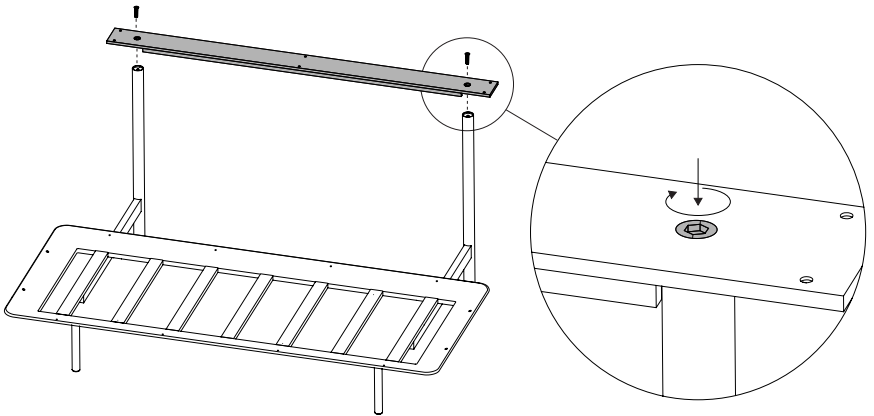


20

To secure the HIGH LEGS to the FRAME use 2 LONG SCREWS and 2 WASHERS per HIGH LEG. Slide the FLAT SCREWS through the WASHERS and into the designated holes. Turn them clockwise to tighten.

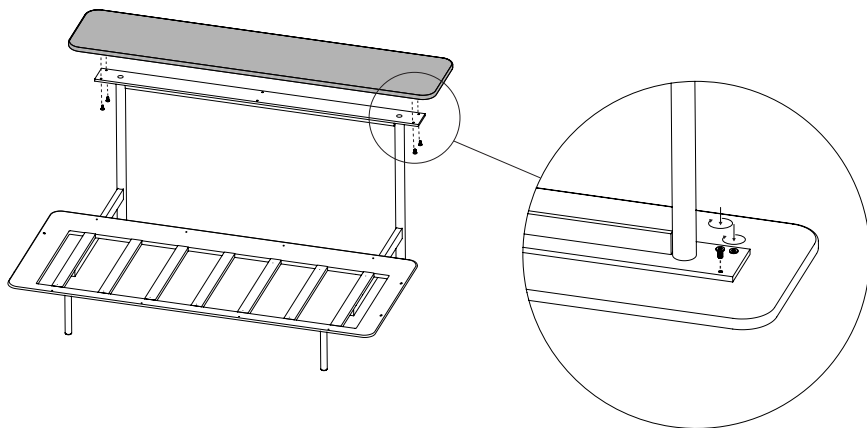
**21**

Place the SUPPORT on top of the HIGH LEGS, make sure the hole in the SUPPORT aligns with the hole in the HIGH LEGS. Use a LARGE SCREW to secure the SUPPORT to the HIGH LEGS.

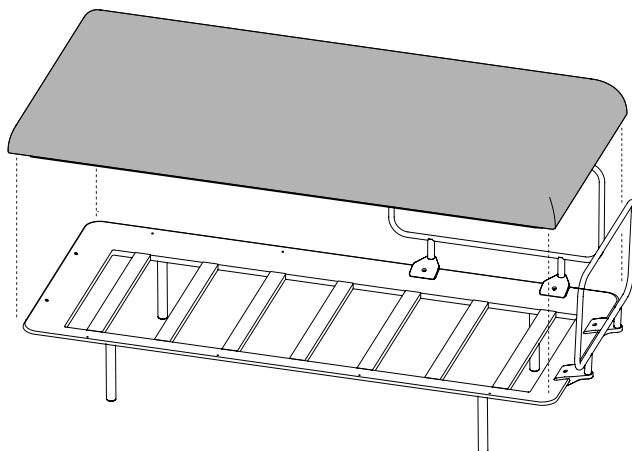


22

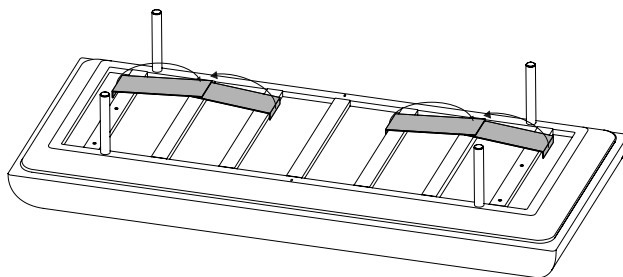
Carefully place the CONSOLE TABLE on top of the SUPPORT, align the holes in the CONSOLE TABLE with the holes in the SUPPORT. Use 4 BUT-TON SCREWS to secure them together.



- 23** Place the seat cushion in position by aligning the edge of the seat cushion with the edge of the frame.

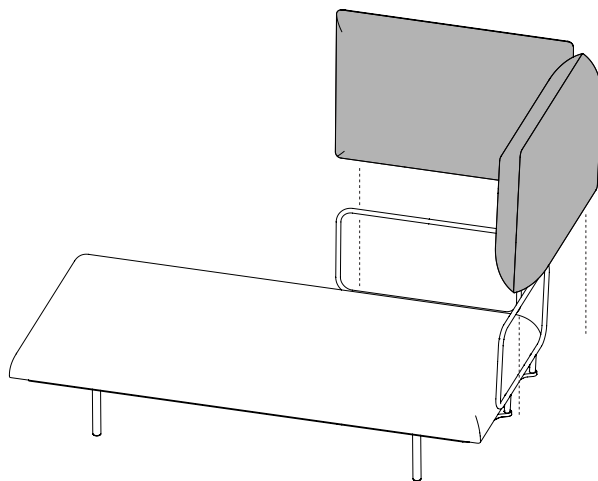


- 24** To fix the cushion into place, attach the velcro strips to each other. Make sure that the velcro straps are on the front side of the sofa.



25

Slide the cushions over the ARM/BACKREST. Make sure the letter on the label (inside of the pillow) matches the letter on the arm/backrest. The label must always be on the outside of the sofa.



Tribù nv
Oude Heidestraat 72
3740 Bilzen
BELGIUM

www.tribu.com
info@tribu.com