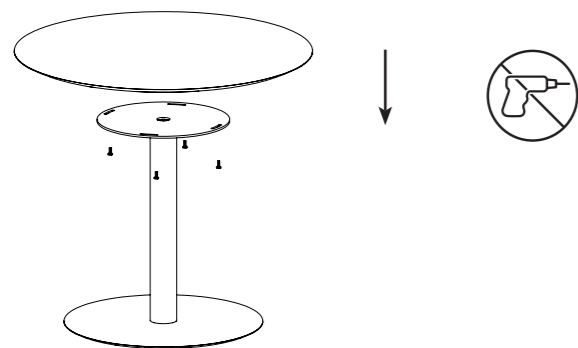
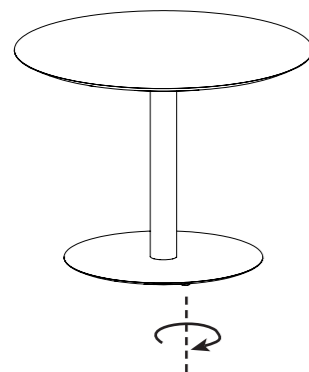


- 5** Put the tabletop on top of the assembly and fix with 4 x small washer and 4 x screw.
Use an Allen key and apply normal force. **DON'T USE A POWER TOOL.**



- 6** You can use the adjustable feet to level the table.



Attention: Never move the table when it is assembled. In case the table has to be moved to a new location, always dismantle the top from the base to avoid damages.

ASSEMBLY INSTRUCTIONS

T-Table

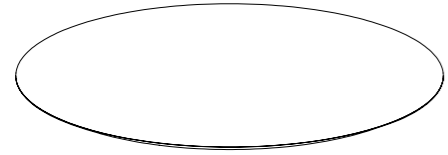
D2160-x-x / D2161-x-x
 D2162-x-x / D2163-x-x
 D2164-x-x / D2165-x-x
 D2166-x-x / D2167-x-x
 D2168-x-x / D2169-x-x
 D2170-x-x / D2171-x-x
 D2172-x-x / D2173-x-x
 D2174-x-x

Tribù nv
 Oude Heidestraat 72
 3740 Bilzen
 BELGIUM

www.tribu.com
info@tribu.com

TRIBÙ

CONTENT



1 x
Tabletop round/square



1 x
Base



1 x
Leg



1 x
Threaded rod



1 x
Top mount



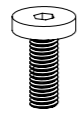
1 x
Nut



2 x
Large washer



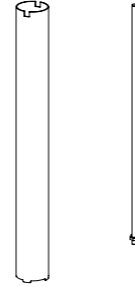
4 x
Washer



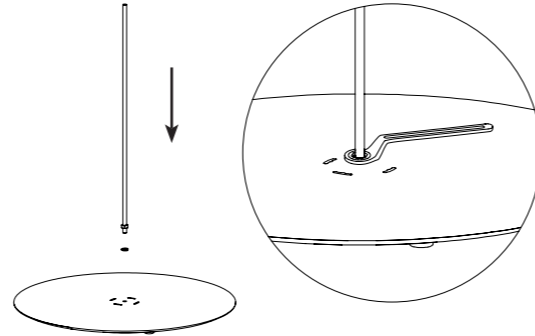
4 x
M6x12

ASSEMBLY INSTRUCTIONS

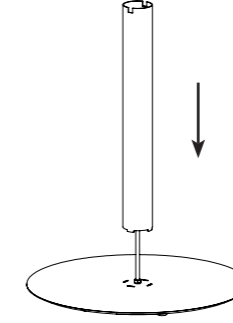
- 1** T-Table is available in 3 table heights. Make sure you combine the correct threaded rod with the correct leg. The threaded rod is a little bit longer than the leg. These components are packed together.



- 2** Place the base in the designated location on a level surface and insert the threaded rod. Make sure the welded nut is facing downwards. Use the large washer. Make sure to tighten with a ring spanner.



- 3** Position the leg over the thread rod. Make sure it fits into the base. The 4 pins on the bottom side of the leg fit into 4 designated holes.



- 4** Position the top mount on the leg and fix with 1 x large washer and 1 x nut. Use a socket spanner to tighten with maximal force.

