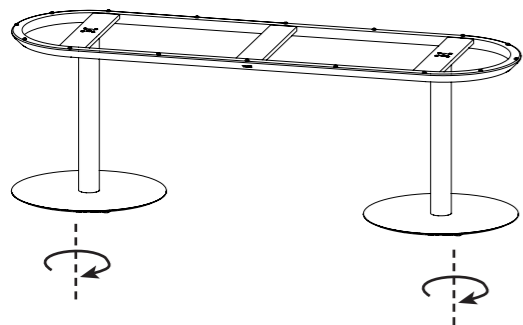
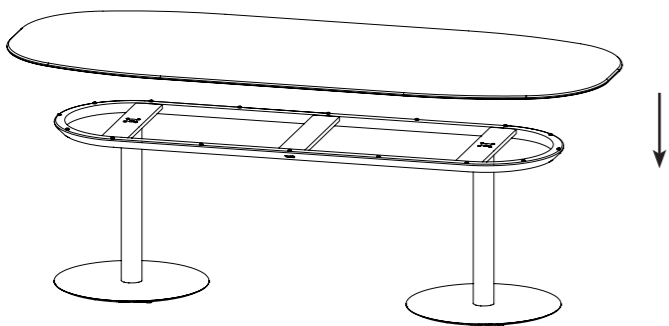


5 You can use the adjustable feet to level the table.



6 Put the tabletop on top of the assembly and make sure it is centered. The headend should stick out 18.5 cm on each side. The side of the table should stick out 19 cm on each side.



Attention: Never move the table when it is assembled. In case the table has to be moved to a new location, always dismantle the top from the base to avoid damages.

ASSEMBLY INSTRUCTIONS

T-Table

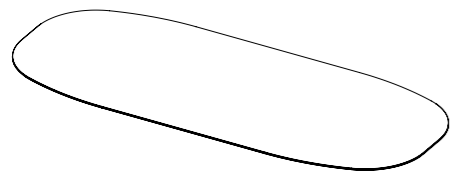
D2175-x-x / D2176-x-x
D2177-x-x / D2178-x-x
D2179-x-x / D2180-x-x

Tribù nv
Oude Heidestraat 72
3740 Bilzen
BELGIUM

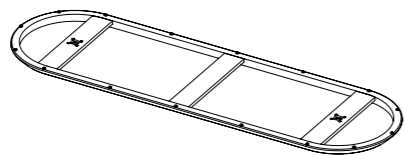
www.tribu.com
info@tribu.com

TRIBÙ

CONTENT



1 x
Tabletop



1 x
Frame



2 x
Leg



2 x
Threaded rod



2 x
Base



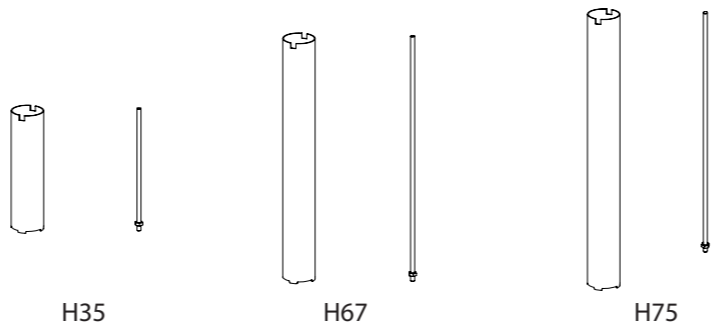
4 x
Large washer



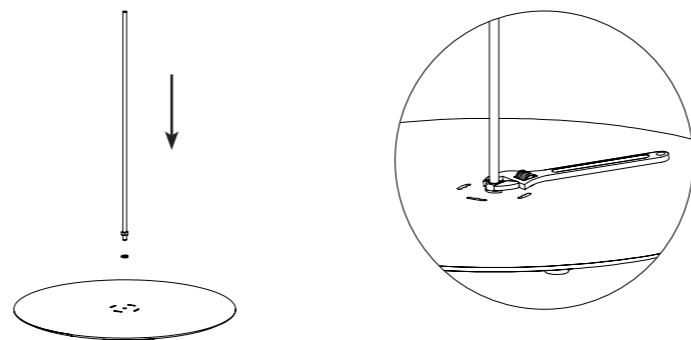
2 x
Nut

ASSEMBLY INSTRUCTIONS

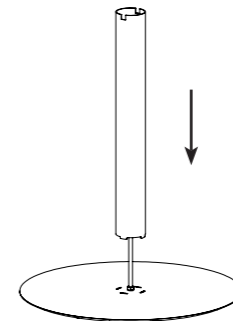
- 1** T-Table is available in 3 table heights. Make sure you combine the correct threaded rod with the correct leg. The threaded rod is a little bit longer than the leg. These components are packed together.



- 2** Place the base in the designated location on a level surface and insert the threaded rod. Make sure the welded nut is facing downwards. Use 1x large washer. Make sure to tighten with a wrench.



- 3** Position the leg over the thread rod. Make sure it fits into the base. The 4 pins on the bottom side of the leg fit into 4 designated holes. Repeat this step for the 2nd base.



- 4** Position the top mount on the leg and fix with 1 x large washer and 1 x nut. Use a wrench to tighten with maximal force.

