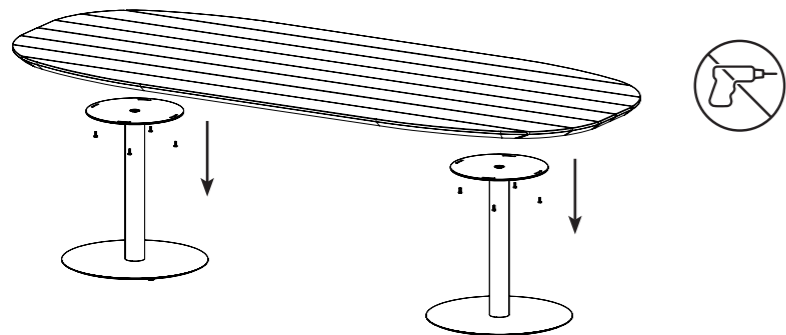
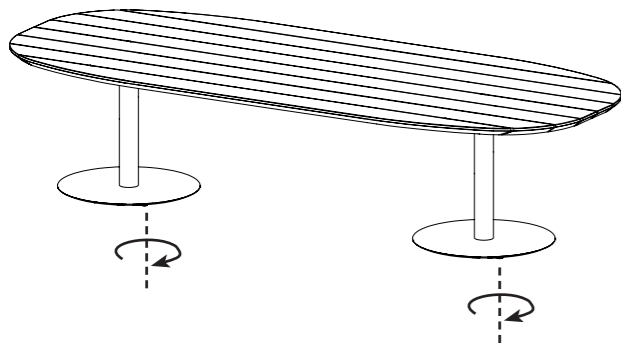


- 5** Put the tabletop on top of the assembly and fix with 4 x small washer and 4 x screw.
Use an Allen key and apply normal force. **DON'T USE A POWERTOOL.**



- 6** You can use the adjustable feet to level the table.



Attention: Never move the table when it is assembled. In case the table has to be moved to a new location, always dismantle the top from the base to avoid damages.

ASSEMBLY INSTRUCTIONS

T-Table

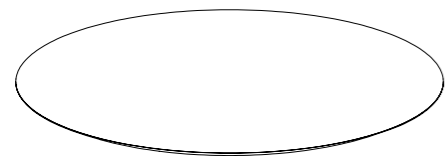
D2175-x-T / D2176-x-T
D2177-x-T / D2178-x-T
D2179-x-T / D2180-x-T

Tribù nv
Oude Heidestraat 72
3740 Bilzen
BELGIUM

www.tribu.com
info@tribu.com

TRIBÙ

CONTENT



1 x
Tabletop round/square



1 x
Base



1 x
Leg



1 x
Threaded rod



1 x
Top mount



1 x
Nut



2 x
Large washer



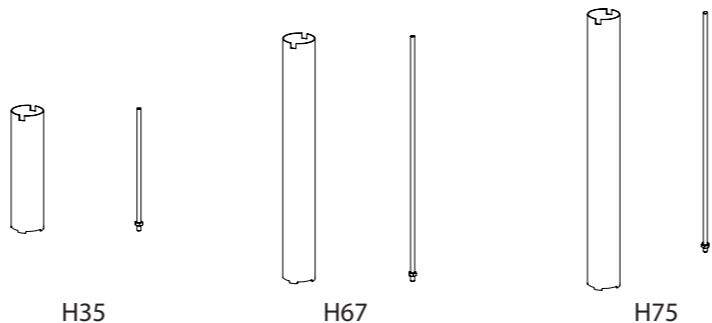
4x washer



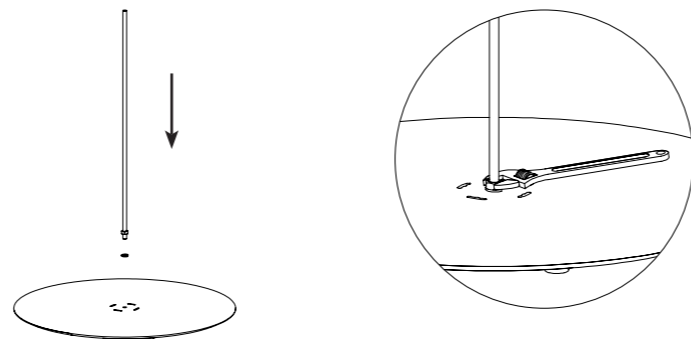
4 x

ASSEMBLY INSTRUCTIONS

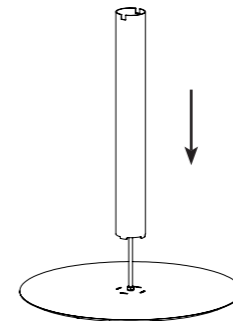
- 1** T-Table is available in 3 table heights. Make sure you combine the correct threaded rod with the correct leg. The threaded rod is a little bit longer than the leg. These components are packed together.



- 2** Place the base in the designated location on a level surface and insert the threaded rod. Make sure the welded nut is facing downwards. Use the large washer. Make sure to tighten with a wrench.



- 3** Position the leg over the thread rod. Make sure it fits into the base. The 4 pins on the bottom side of the leg fit into 4 designated holes.



- 4** Position the top mount on the leg and fix with 1 x large washer and 1 x nut. Use a wrench to tighten with maximal force.

